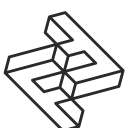


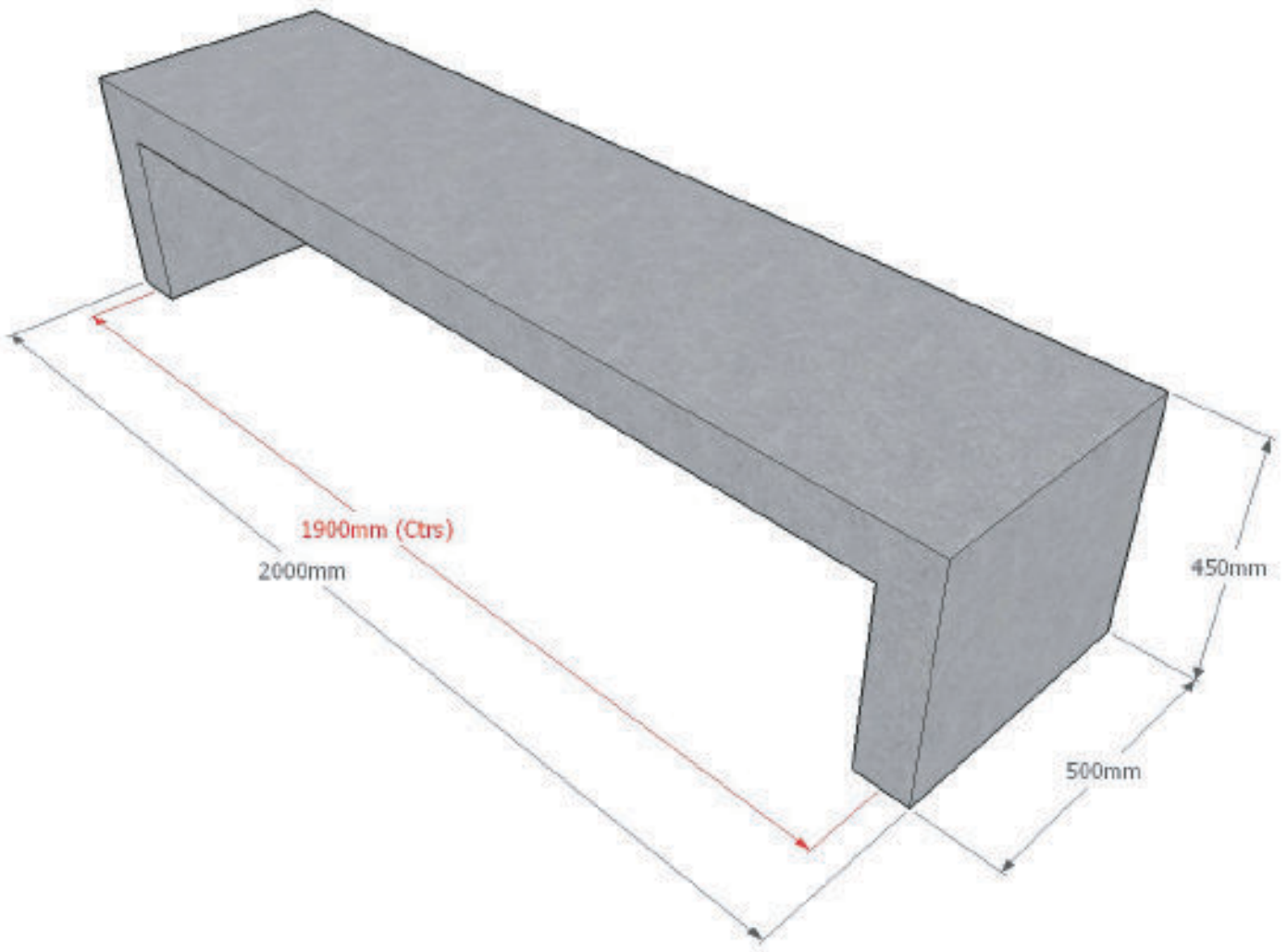
# FACTORY FURNITURE



## Bloc Concrete Bench

TECHNICAL SHEET





## Composition

*Body* - Smooth or exposed aggregate concrete. A variety of stone effects are available.

*Internal reinforcement* - stainless steel frame

## Finish

*Concrete* - Sealed (waterproofed and anti-graffiti). Smooth, shot peened, honed or polished finishes available. (Please refer to 'Concrete Finishes' specification document for further details)

## Dimensions

*Metric* L 2000mm | width 500mm | height 450mm

*Imperial* L 6' 6½" | width 1' 7½" | height 1' 5½"

## Approx weight

360kg

## Fixing centres & method

1900mm (6' 3") - Free standing

## Foundation

2 no. pads 300 x 300 x 700 mm in C20 concrete (recommendation only)

## Handling

Please observe health and safety lifting guidelines. A forklift or crane will be required for off-loading and positioning of this product

## Maintenance

Depends on usage and position. All elements will require annual cleaning.

