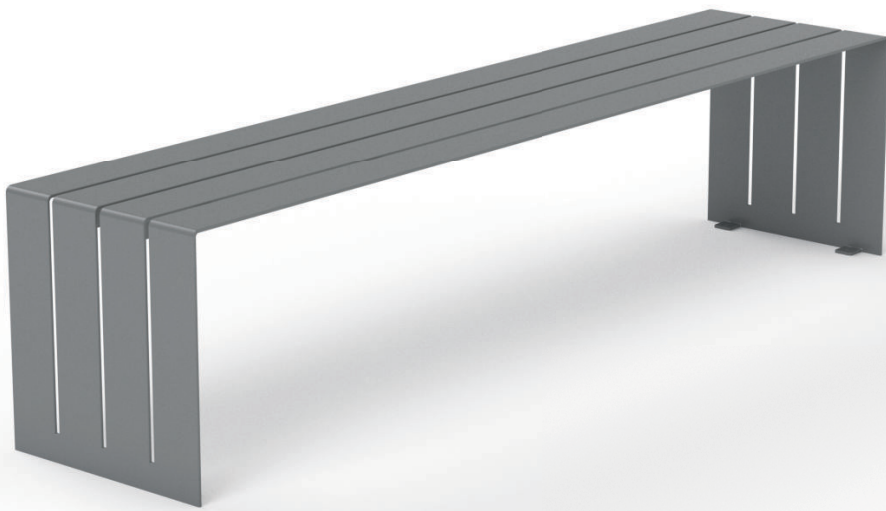
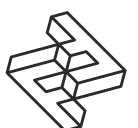


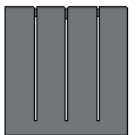
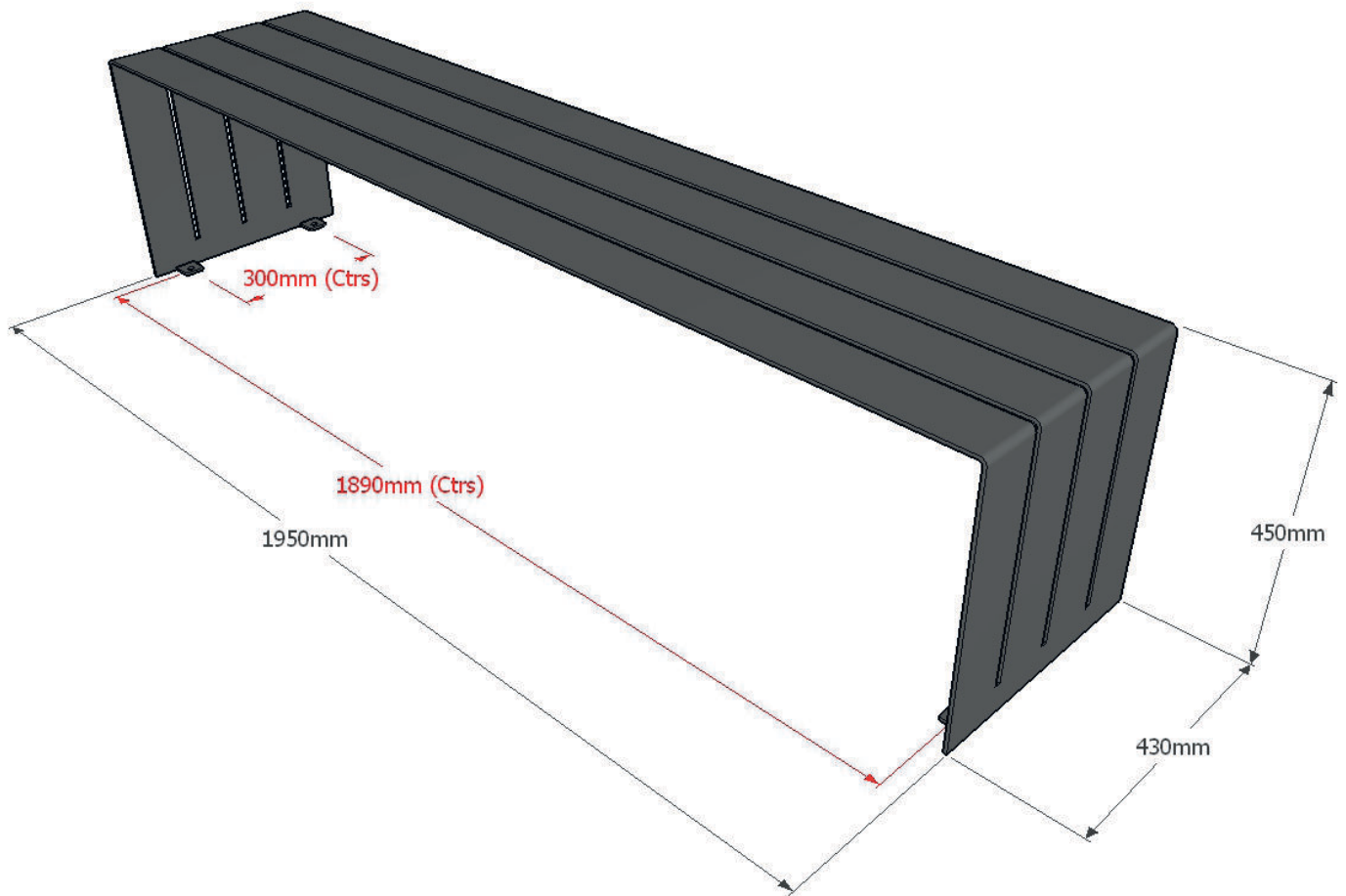
# FACTORY FURNITURE



## Bloc Steel Bench

TECHNICAL SHEET





## Composition

Frame - Mild steel

## Finish

Mild steel - Hot dip galvanised as standard (polyester powder-coated option available\* (grey as standard or as per client's specification))

## Dimensions

Metric L 1950mm | width 430mm | height 450mm

Imperial L 6' 5" | width 1' 5" | height 1' 5½"

\*Not inc. +100mm below ground level for sub-surface fix option

## Approx weight

64kg

## Fixing centres & method

1890mm (6' 2½") x 300mm (12") - 4 sleeve anchors

(surface & sub-surface fix options available)

## Foundation

2 no. pads 400 x 400 x 400 mm in C20 concrete (recommendation only)

## Handling

Please observe health and safety lifting guidelines. A fork lift or crane will be required for off-loading and positioning of this product

## Maintenance

Depends on usage and position. All elements will require annual cleaning. Galvanised and powder coated mild steel only require maintenance if damaged.

\*Please note that when a powder-coat is applied over a hot dip galvanised surface pinholing can occur in the surface finish - this is not considered a defect.

