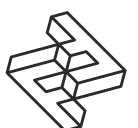


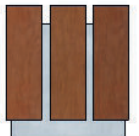
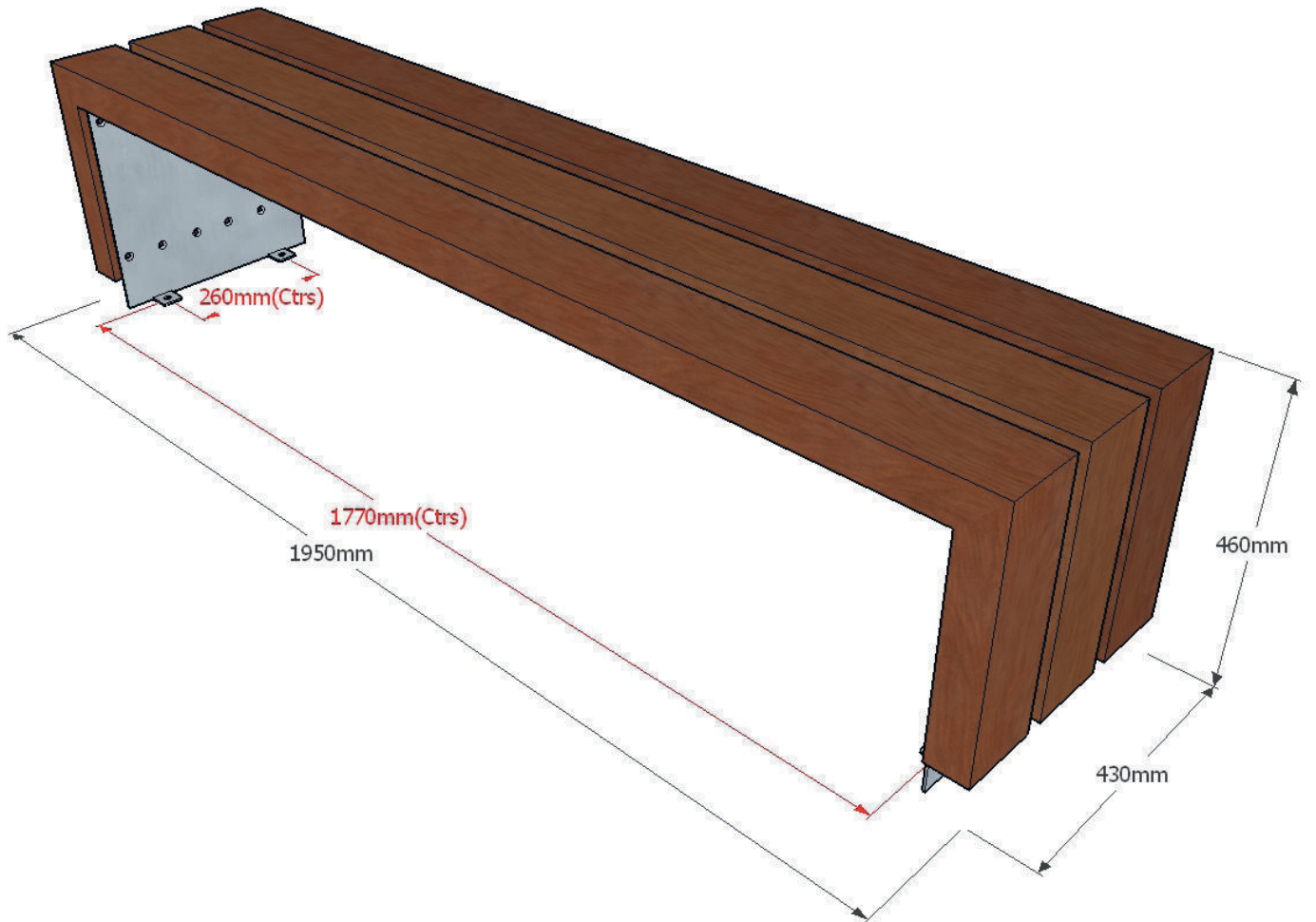
FACTORY FURNITURE



Bloc Wood Bench

TECHNICAL SHEET





Composition

Slats - FSC® certified hardwood

Frame - Stainless steel



Finishes

Timber - Untreated sanded finish as standard

Stainless steel - Satin polished finish

Dimensions

Metric L 1950mm | width 430mm | height 460mm *

Imperial L 6' 5" | width 1' 5" | height 1' 6" *

*Not incl. +100mm below ground level for sub-surface fix option

Approx weight

84kg

Fixing centres

1770mm (5' 9½") x 260mm (10")

Fixing method

4 sleeve anchors (surface & sub-surface fixing options available)

Foundation

2 no. pads 400 x 400 x 400 mm in C20 concrete (recommendation only)

Handling

Please observe health and safety lifting guidelines. A fork lift or crane will be required for off loading and positioning of this product

Maintenance

Depends on usage and position. All elements will require annual cleaning. Stainless steel requires no maintenance

