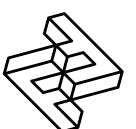


FACTORY FURNITURE



Wood Bloc Bench & Seat

OPERATION & MAINTENANCE MANUAL



Introduction

Design

Design, shop drawings and development by Factory Furniture Ltd.

Manufacture

Factory Furniture manufactured components. Products are assembled in Factory workshops, checked and dispatched ready for installation. Replacement products or components thereof should be ordered direct from Factory Furniture Ltd.

Copyright

The design copyright for the product and drawing copyright remains the sole property of Factory Furniture Ltd.

General Specifications

Bench

Metric length 1950mm | width 430mm | height 460mm*
Imperial length 6' 5" | width 1' 5" | height 1' 6"

*Not including +100mm below ground level for sub-surface fix option

Approx Weight 103kg

Fixing Centres 1770mm (5' 9½") x 260mm (10")

Seat

Metric length 1950mm | width 470mm | height 740mm*
Imperial length 6' 5" | width 1' 6½" | height 2' 5"

*Not including +100mm below ground level for sub-surface fix option

Approx Weight 103kg

Fixing Centres 1770mm (5' 9½") x 260mm (10")

Materials & Finishes

Bench / Seat Top

- Manufactured from FSC® certified tropical hardwood (*other FSC timber options available*)
- Slats are profiled and left untreated as standard (*oil or microporous woodstain treatment available on request*)
- Supported by stainless steel frame



Frame (2 side panels and central support)

- Manufactured from stainless steel with a satin polished finish
- Anchored to ground using 4 no. zinc-coated M10 x 75mm sleeve anchors per bench. Sleeve anchors on surface fix option protected by anti-vandal armour rings

Back Rest (Back rest & frame)

- Frame manufactured from stainless steel with a satin polished finish
- Frame welded to bench frame in 3 places
- Back rest manufactured from FSC certified tropical hardwood (other timber options available upon request)
- Slat is profiled and left untreated as standard (oil or microporous woodstain treatment available on request)
- Back rest attached to back rest frame via 3 fixing points

General Maintenance

(Recommended Schedule & Guidelines)

Daily/Weekly/Monthly (or as adopted)

Visual checks of seat top and frame - check all items for superficial or physical damage

Three Monthly

Clean all items as detailed below check all fixings are seated correctly; inspect timber for serious damage and splinters.

Six Monthly

Secure all fixings; full clean as detailed below; check that seat/bench is firmly secured to the ground

Specific Maintenance Details

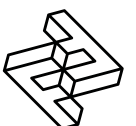
FSC Timber

Clean with a stiff brush once per year, especially in more exposed locations, in order to prevent a verdigris type build up on the timber surface. Ideally this should be completed in early spring. During the cleaning stage, all exposed timber surfaces should be inspected for splits and splinters. Any splinters and graffiti should be removed and the surface sanded with 100 grit sandpaper in order to remove any uneven / sharp edges or surfaces.

During the first few months after installation the tannin naturally occurring in the timber may leach out and cause a brown staining on the bases. This may be removed with a light solution of household bleach and water.

Stainless Steel (polished stainless steel only)

Clean as required, but at least every three months, using a stainless steel polish and a lint free cloth. To remove ground in dirt, a stainless steel finishing pad may be required.



Repairs

FSC Timber

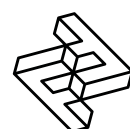
For light damage, please see section on specific maintenance details above. For instances of heavy damage, the timber item should be replaced. Please order against the part number reference in the reordering section towards the end of this manual.

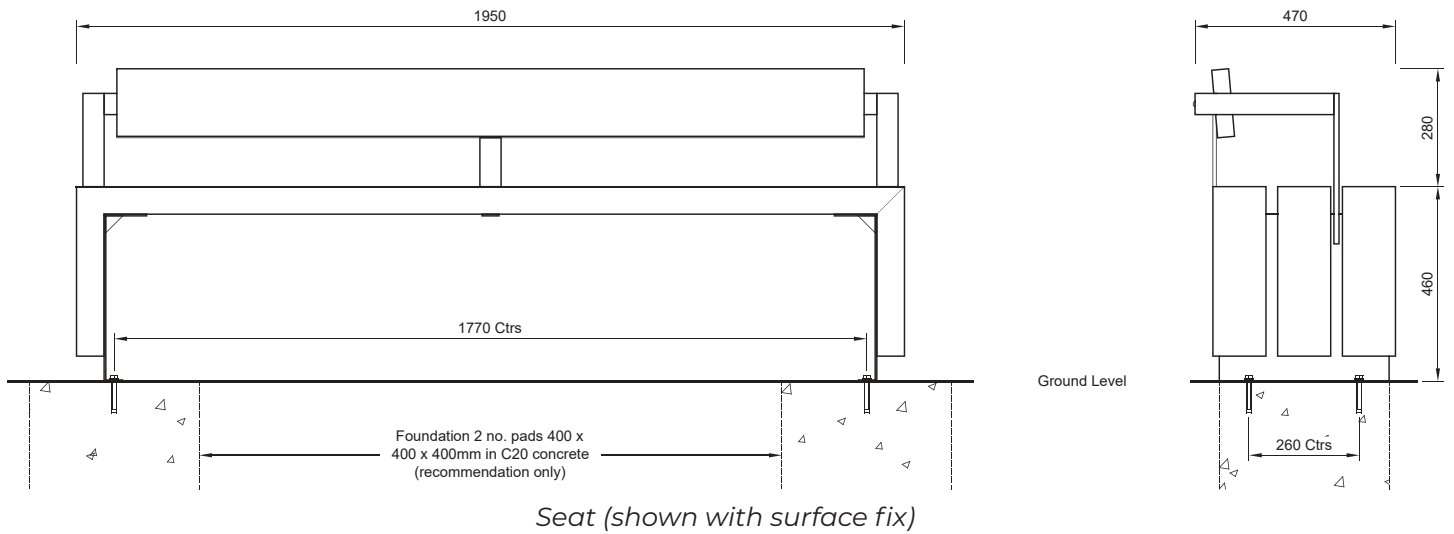
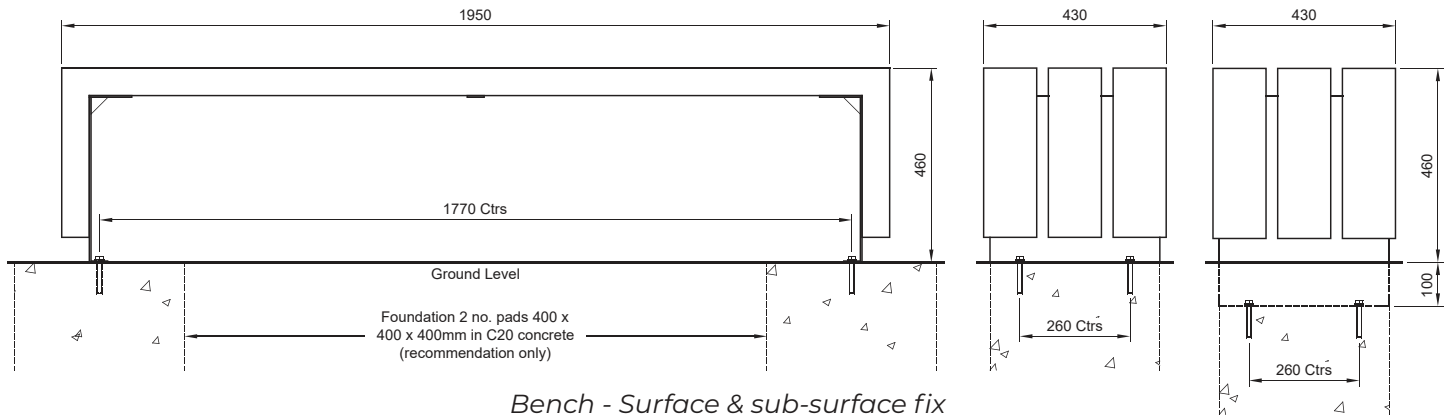
Stainless Steel

Light damage (surface scratches etc.) can be removed using an emery pad (240 grit) and freeing oil such as 'WD40'. Care should be taken to follow the direction of the brushing grain. It is recommended that a trial repair be carried out on an unimportant surface first. No corrosive cleaners or other abrasives should be used. Any contamination, particularly carbon steel scuffs from vehicles, should be quickly removed to avoid corrosion.

Heavy Damage

In the event of serious damage to any component, replacements should be ordered from Factory Furniture Ltd. In this event (or if the product needs to be disassembled for any reason), please contact Factory Furniture for detailed technical advice.





Installation Instructions

All installation works to be carried out by competent personnel - install as complete unit.

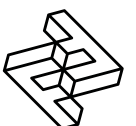
Bloc Bench / Seat (Wood) (surface or sub-surface fix)

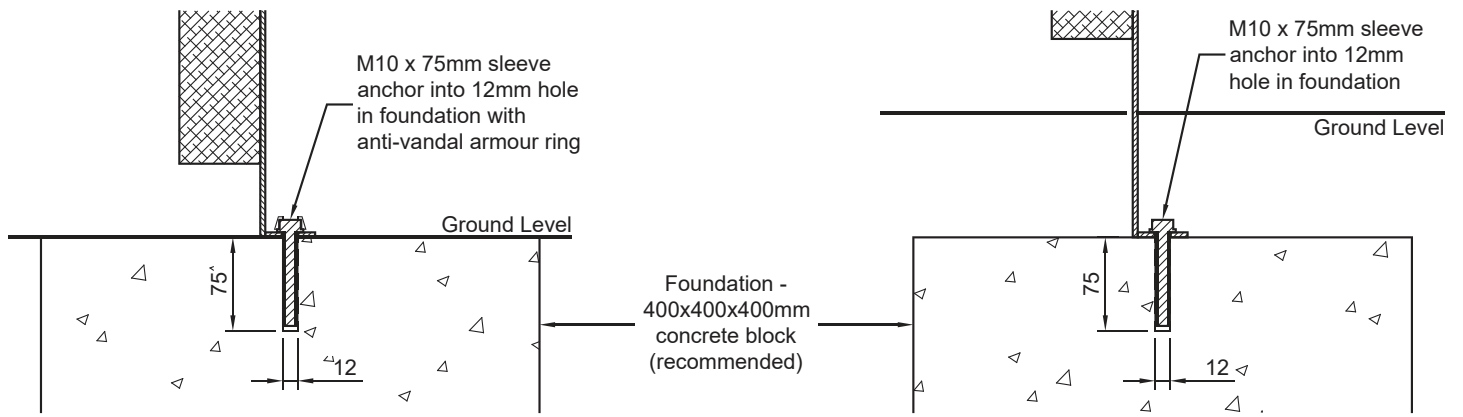
1. Install suitable foundation pads (see illustration) each with top face at ground level or 100mm below finished ground level for sub-surface fix
2. Position bench/seat in correct orientation with bases centrally on foundation pads; mark hole positions through fixing lugs.
3. Remove the bench/seat; drill holes $\varnothing 12\text{mm} \times 75\text{mm}$ deep (or as bolt manufacturer's recommendations).
4. Clear debris from holes.

5. Reposition bench/seat and fix to foundation pads using 4 no. zinc-coated M10 x 75mm sleeve anchors tightened to 50Nm (or as per manufacturer's instruction). Ensure bench/seat remains level during fixing process. For surface fix, hammer an anti-vandal armour ring over each bolt head to prevent tampering.
6. Check level & re-instate ground level if necessary (sub-surface fix).

IMPORTANT NOTE

Ensure that stainless steel is protected during site cutting of stone – contamination from disc cutters will produce corrosion on stainless steel components.





5 Pioneer Road, Faringdon,
 Oxfordshire SN7 7BU
 +44 (0)1367 242731
 hello@factoryfurniture.co.uk

factoryfurniture.co.uk

