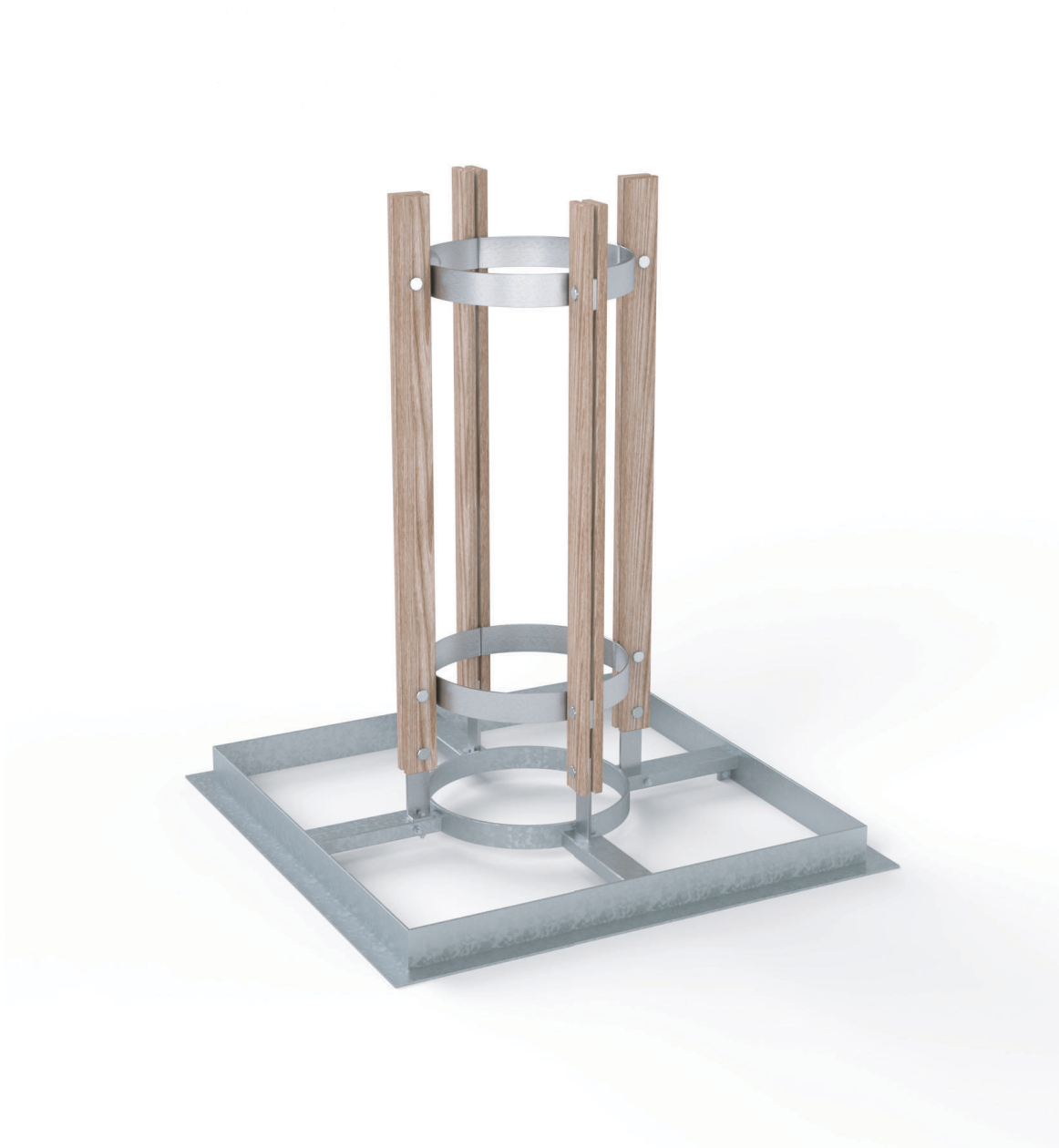
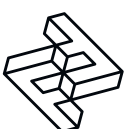


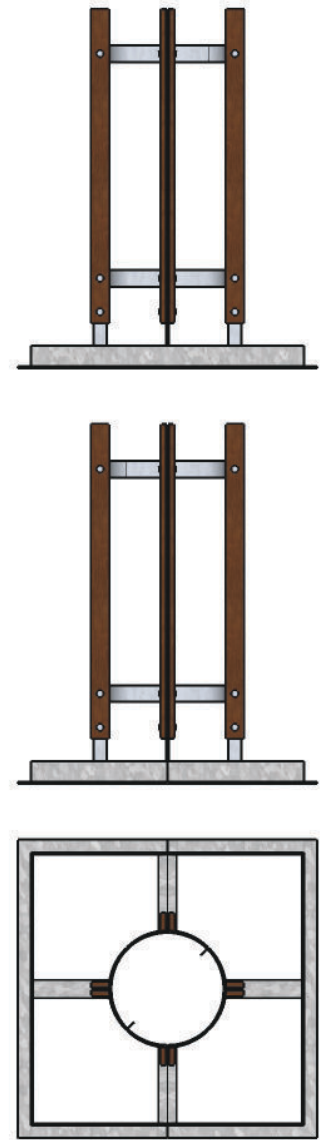
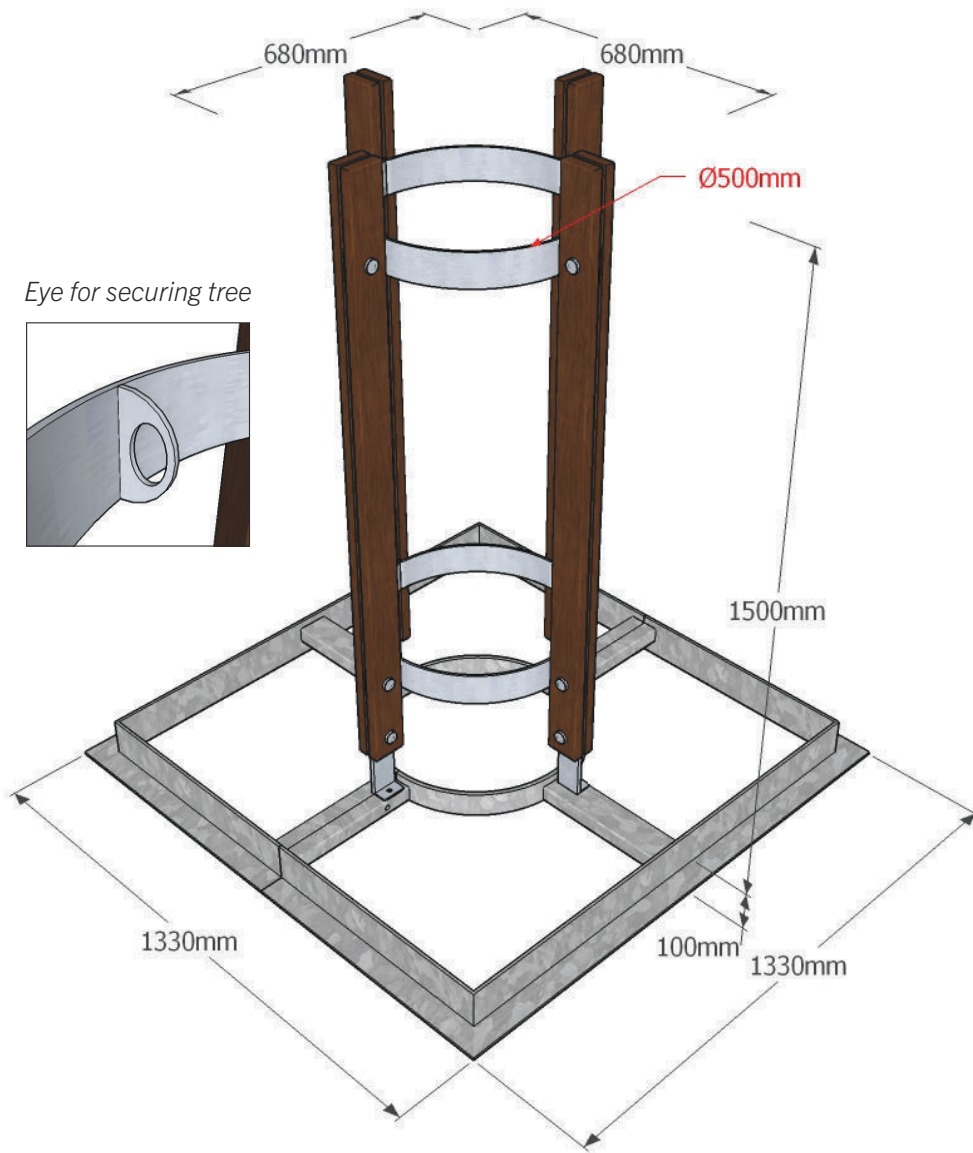
FACTORY FURNITURE



Chronos Tree Guard & Grille

TECHNICAL SHEET





Composition

Slats - FSC® certified hardwood

Frame - Stainless steel

Base - Mild steel



Finishes

Timber - Untreated sanded finish as standard

Stainless steel - Satin polished finish

Mild steel - Galvanised as standard

Dimensions

Metric L 1330mm | width 1330mm | height 1500mm*

Imperial L 4' 4½" | width 4' 4½" | height 4' 11"

*Not including +100mm below ground level

Approx weight

101kg

Fixing method

Base root fixed 100mm (4") below ground level

****Base and tree guard split into two sections for assembly around existing tree or fixture****

Handling

Please observe health and safety lifting guidelines. A forklift or crane will be required for off-loading and positioning of this product

Maintenance

Depends on usage and position. All elements will require annual cleaning. Galvanised steel will require maintenance only if damaged. Stainless steel requires no maintenance

