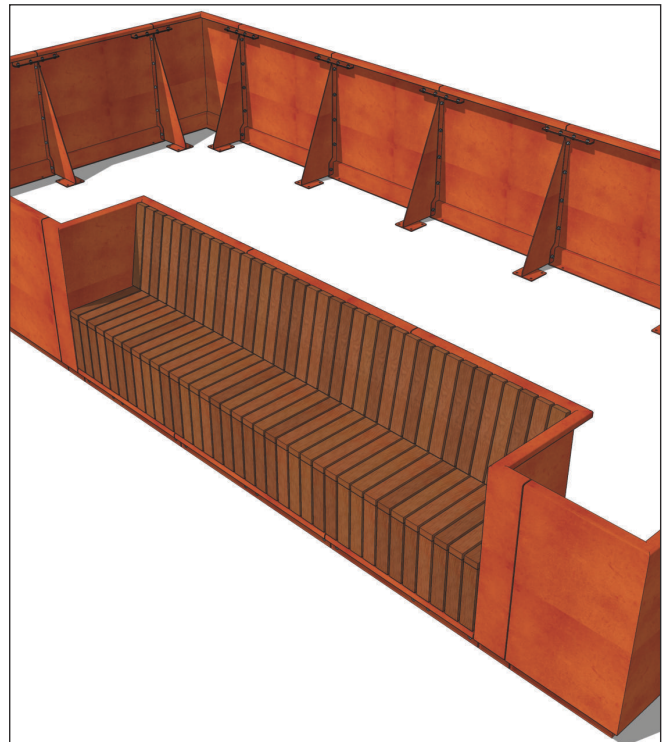
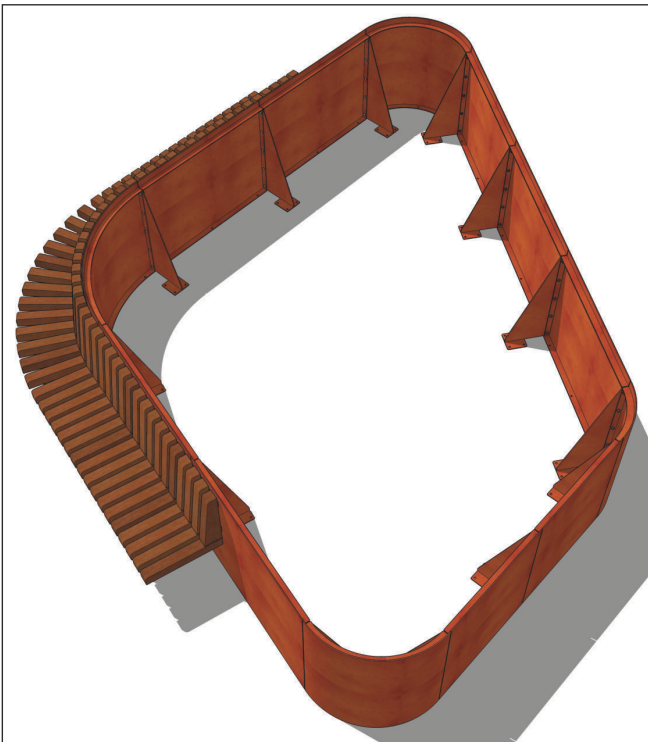
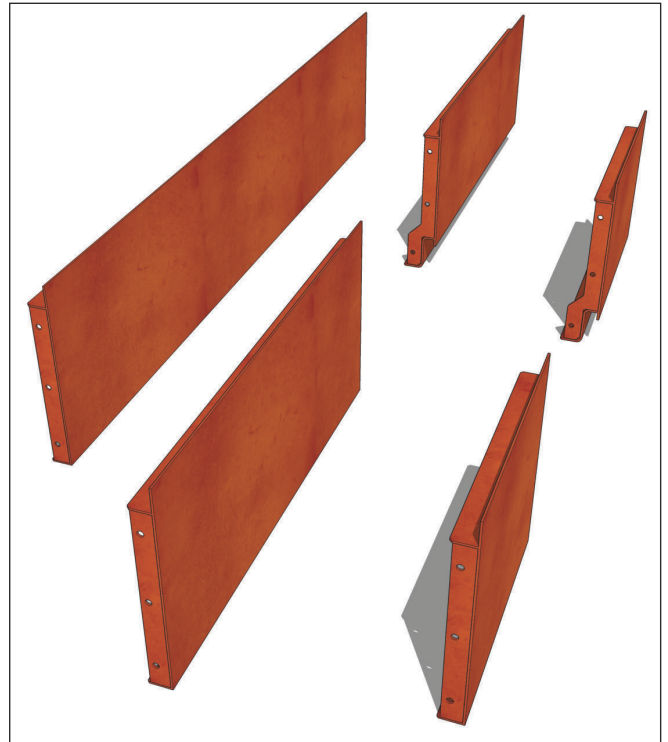
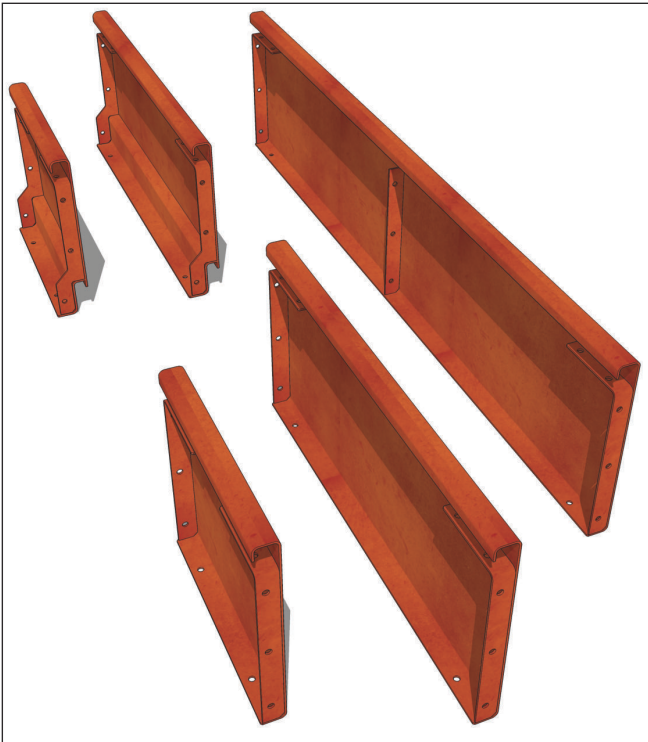
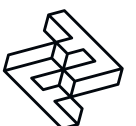


FACTORY FURNITURE

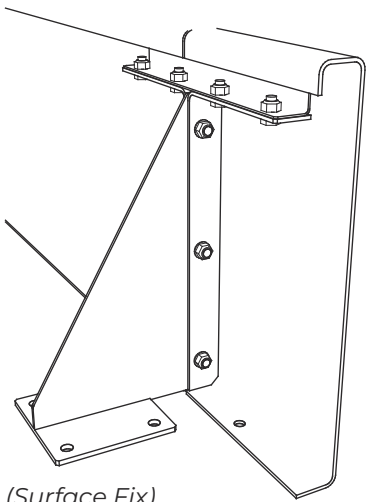


Cubit Planter System

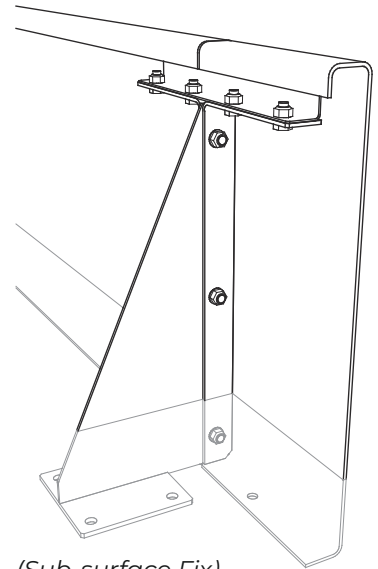
TECHNICAL SHEET



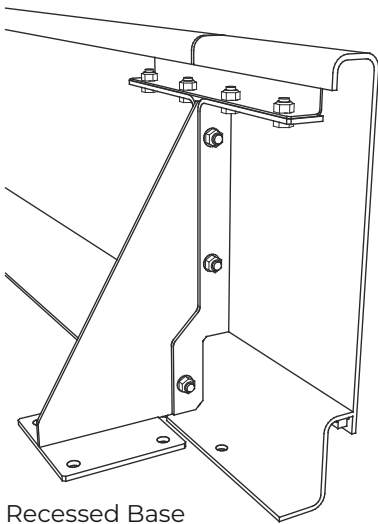
FACTORY FURNITURE



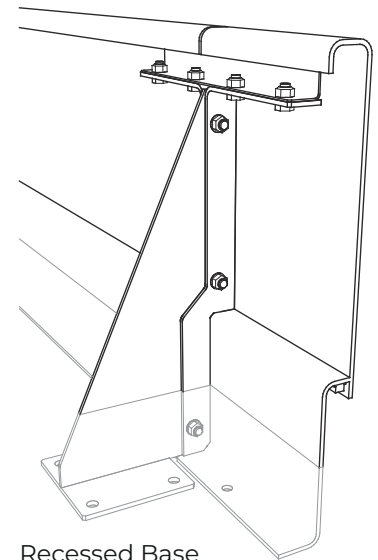
(Surface Fix)



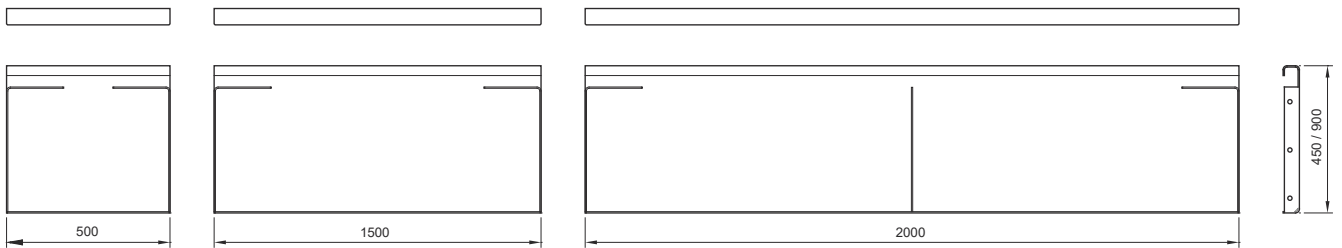
(Sub-surface Fix)



Recessed Base
(Surface Fix)



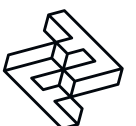
Recessed Base
(Sub-surface Fix)



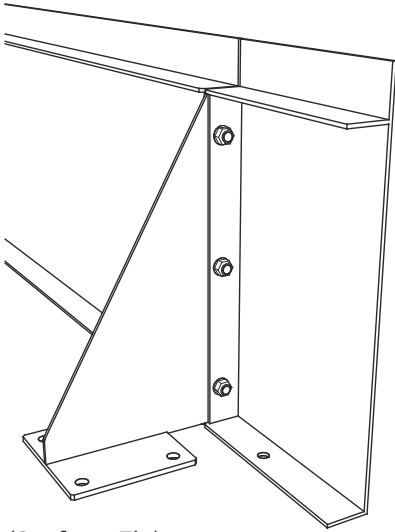
Please note: the fold system is not suitable for planters with curved walls.

Fold System

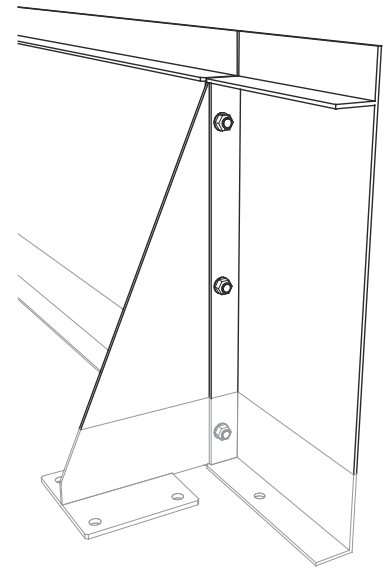
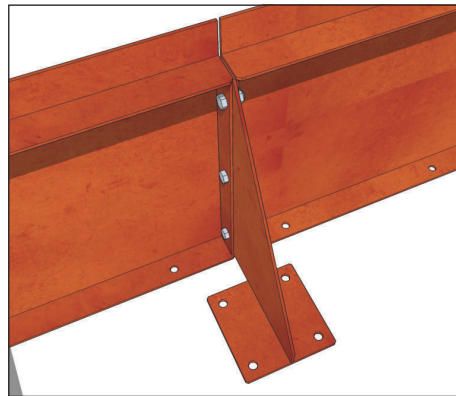
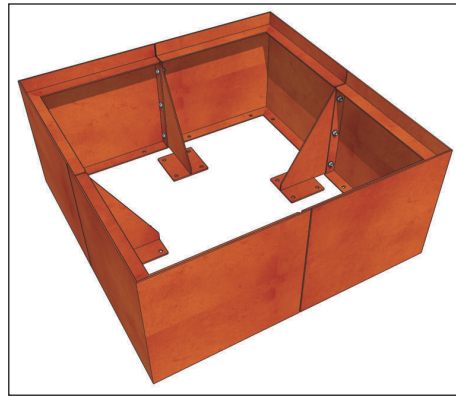
TECHNICAL SHEET



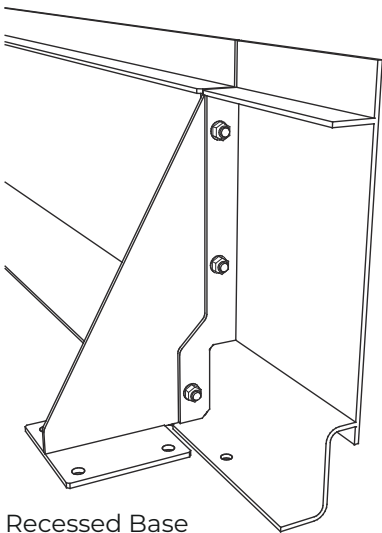
FACTORY FURNITURE



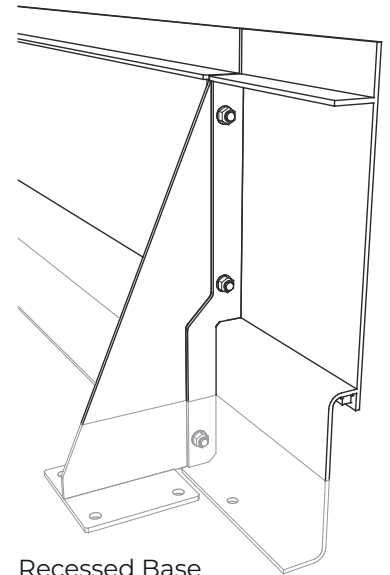
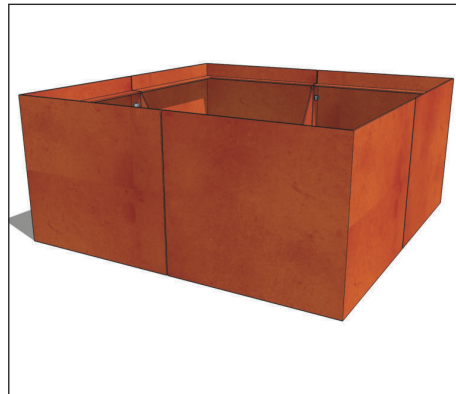
(Surface Fix)



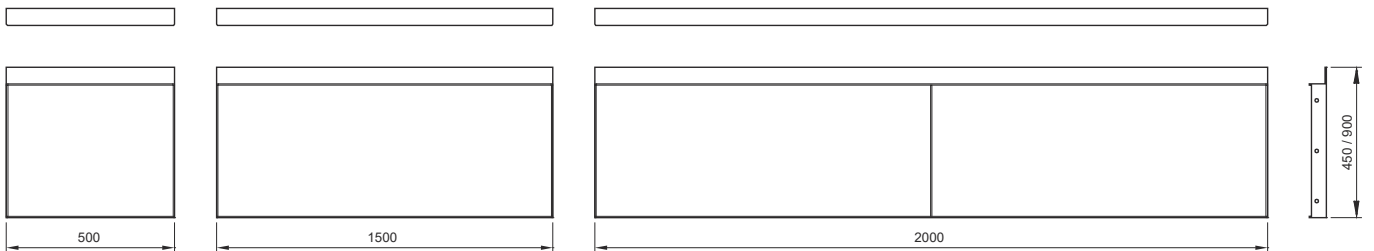
(Sub-surface Fix)



Recessed Base
(Surface Fix)

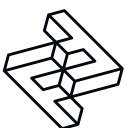


Recessed Base
(Sub-surface Fix)

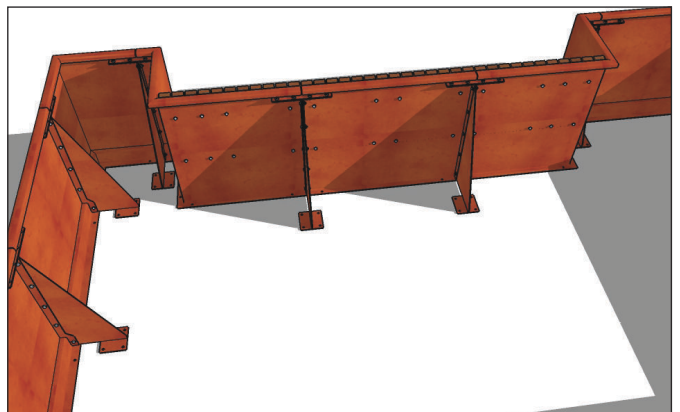
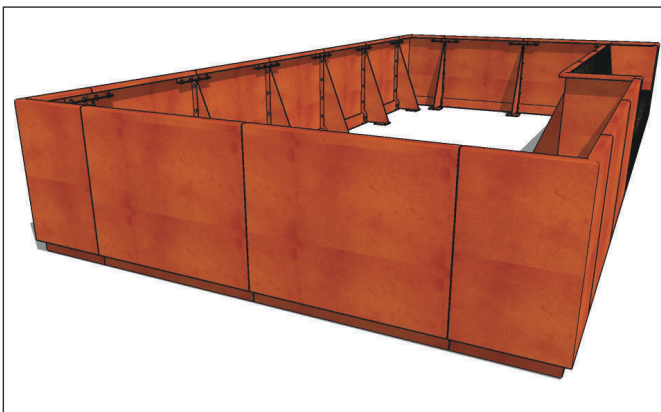
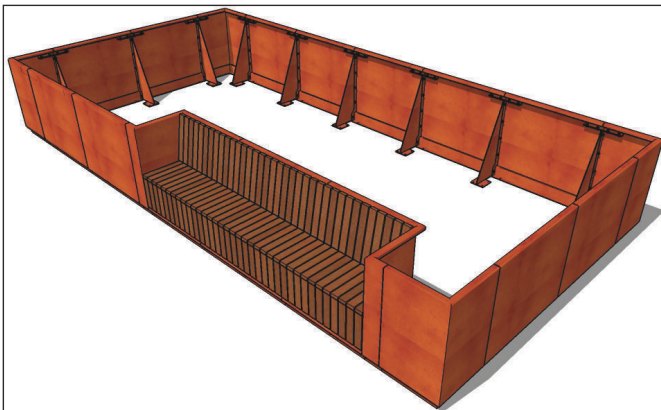
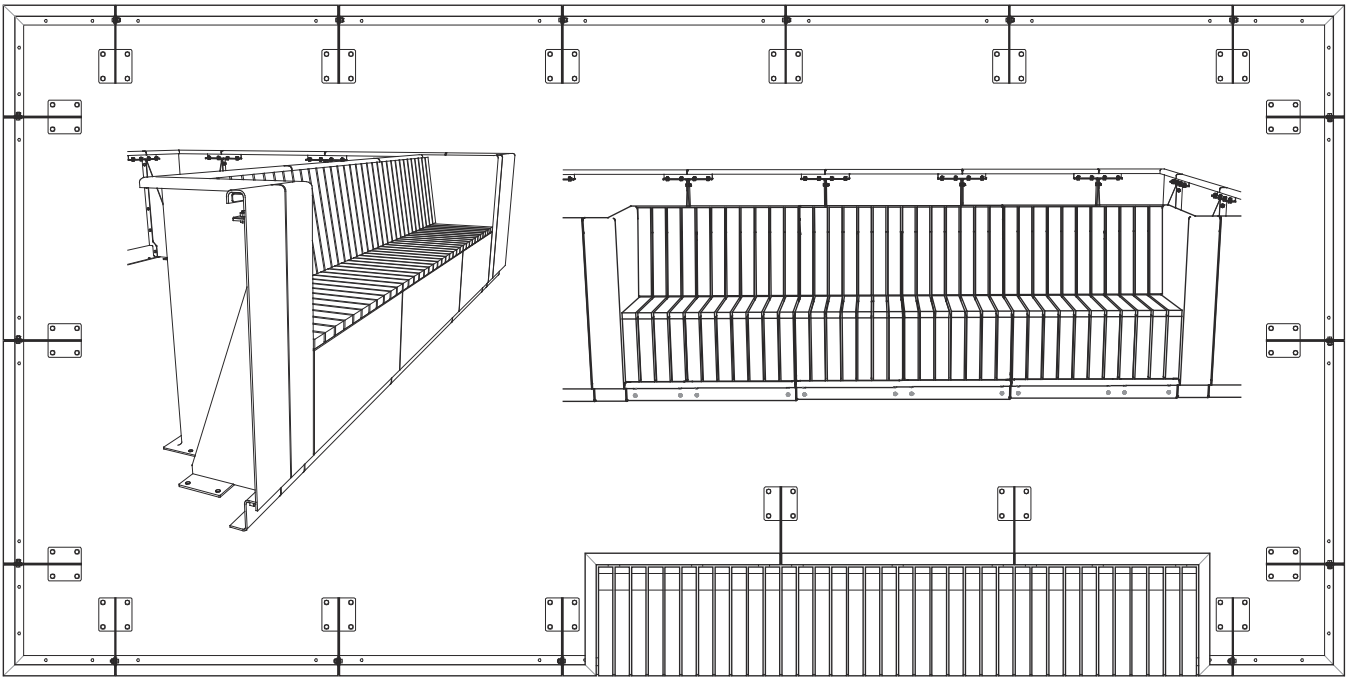


Edge System

TECHNICAL SHEET

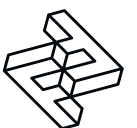


FACTORY FURNITURE

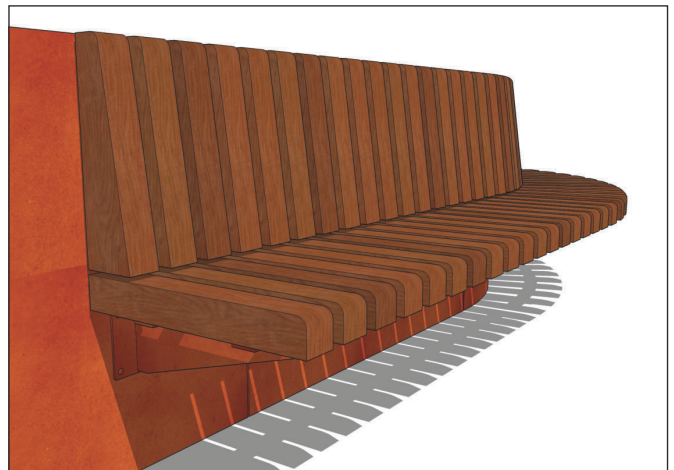
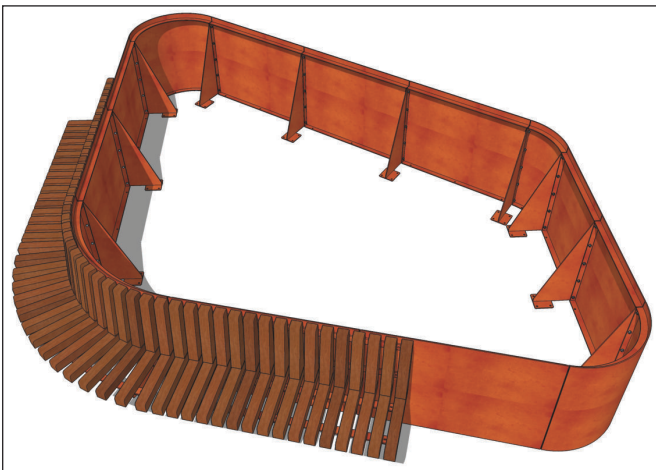
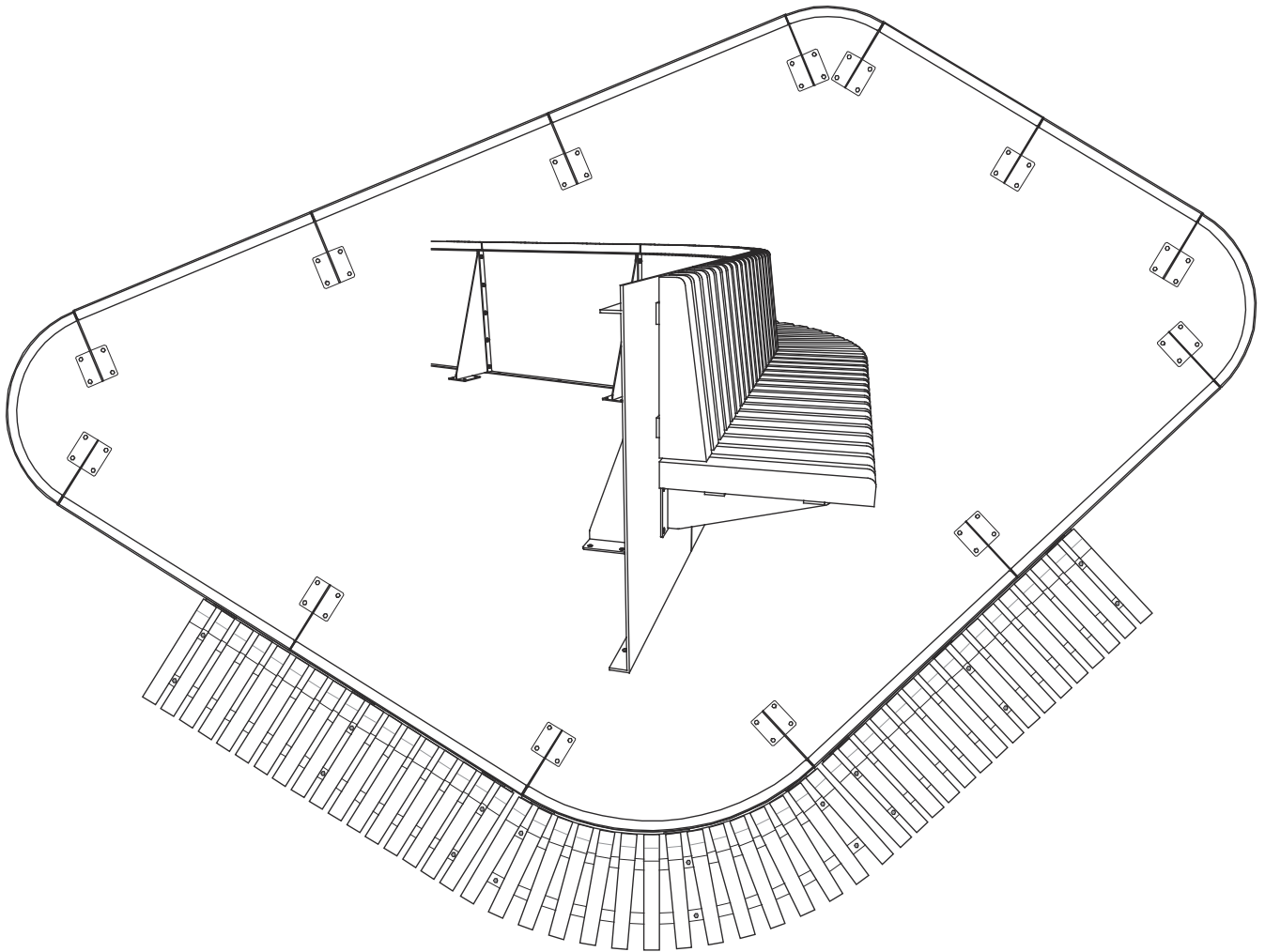


Fold System with Seating

TECHNICAL SHEET



FACTORY FURNITURE



Edge System with Seating

TECHNICAL SHEET

