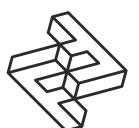


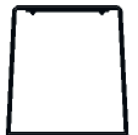
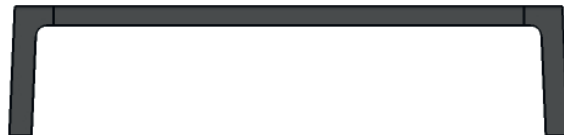
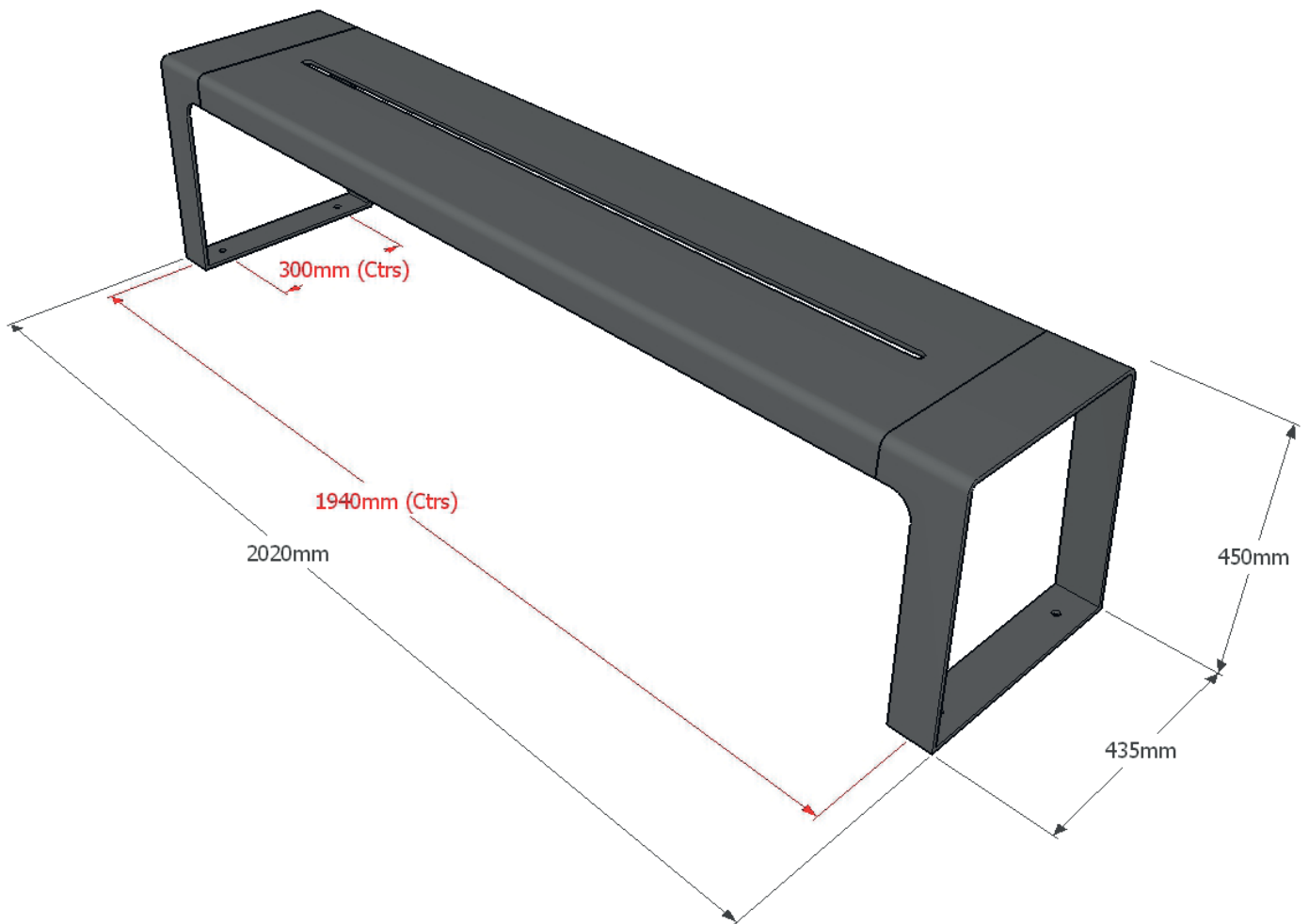
FACTORY FURNITURE



Murton Steel Bench

TECHNICAL SHEET





Composition

Frame - Mild steel

Finishes

Mild steel - Hot dip galvanised and polyester powder-coated (grey as standard or as per client's specification)

Dimensions

Metric L 2020mm | width 435mm | height 450mm
Imperial L 6' 7½" | width 1' 5" | height 1' 5½"

Approx weight

73kg

Fixing centres & method

1940mm (6' 4½") x 300mm (12") - 4 resin fixed anchors (2 per leg)

Foundation

2 no. pads 600 x 400 x 300 mm in C20 concrete (recommendation only)

Handling

Please observe health and safety lifting guidelines. A fork lift or crane will be required for off-loading and positioning of this product

Maintenance

Depends on usage and position. All elements will require annual cleaning. Galvanised and powder coated mild steel only require maintenance if damaged.

**Please note that when a powder-coat is applied over a hot dip galvanised surface pinholing can occur in the surface finish - this is not considered a defect.*

