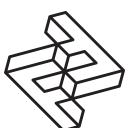


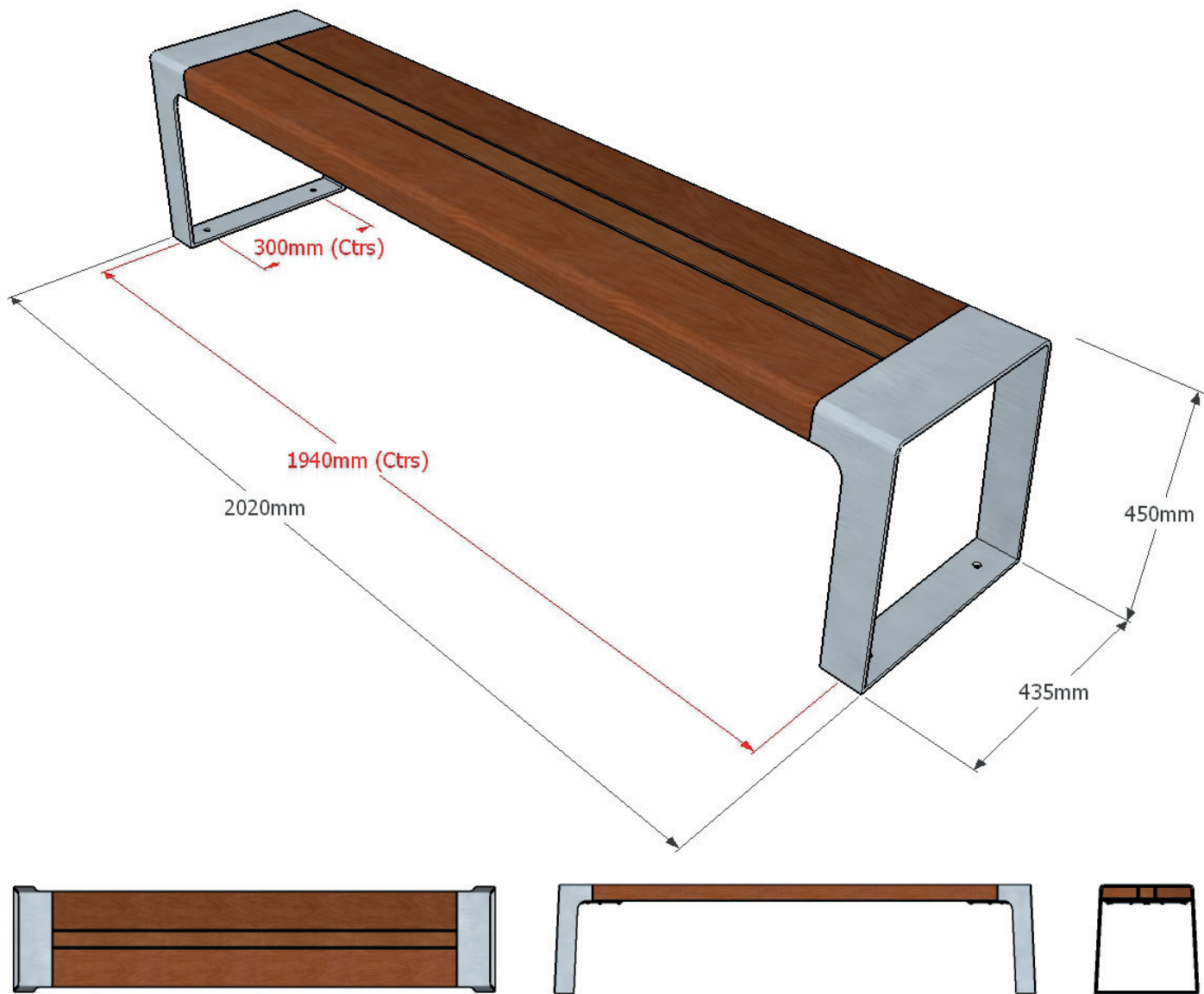
# FACTORY FURNITURE



## Murton Wood Bench

TECHNICAL SHEET





## Composition

Slats - FSC® certified hardwood

Frame - Stainless steel  
(mild steel option available)



## Finishes

Timber - Untreated sanded finish as standard

Stainless steel - Satin polished finish

Mild steel option - Galvanised and polyester powder-coated (grey as standard or as per client's specification)

## Dimensions

Metric L 2020mm | width 435mm | height 450mm

Imperial L 6' 7½" | width 1' 5" | height 1' 5½"

## Approx weight

78kg

## Fixing centres & method

1940mm (6' 4½") x 300mm (12") - 4 resin fixed anchors (2 per leg)

## Foundation

2 no. pads 600 x 400 x 300 mm in C20 concrete  
(recommendation only)

## Handling

Please observe health and safety lifting guidelines. A forklift or crane will be required for off-loading and positioning of this product

## Maintenance

Depends on usage and position. All elements will require annual cleaning. Stainless steel requires no maintenance. Galvanised and polyester powder-coated mild steel only requires maintenance if damaged.

