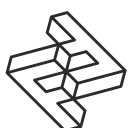


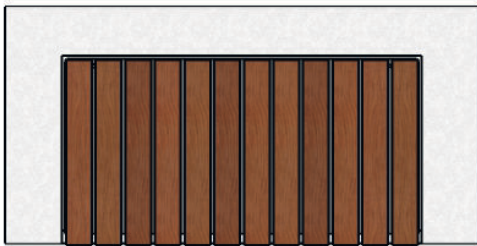
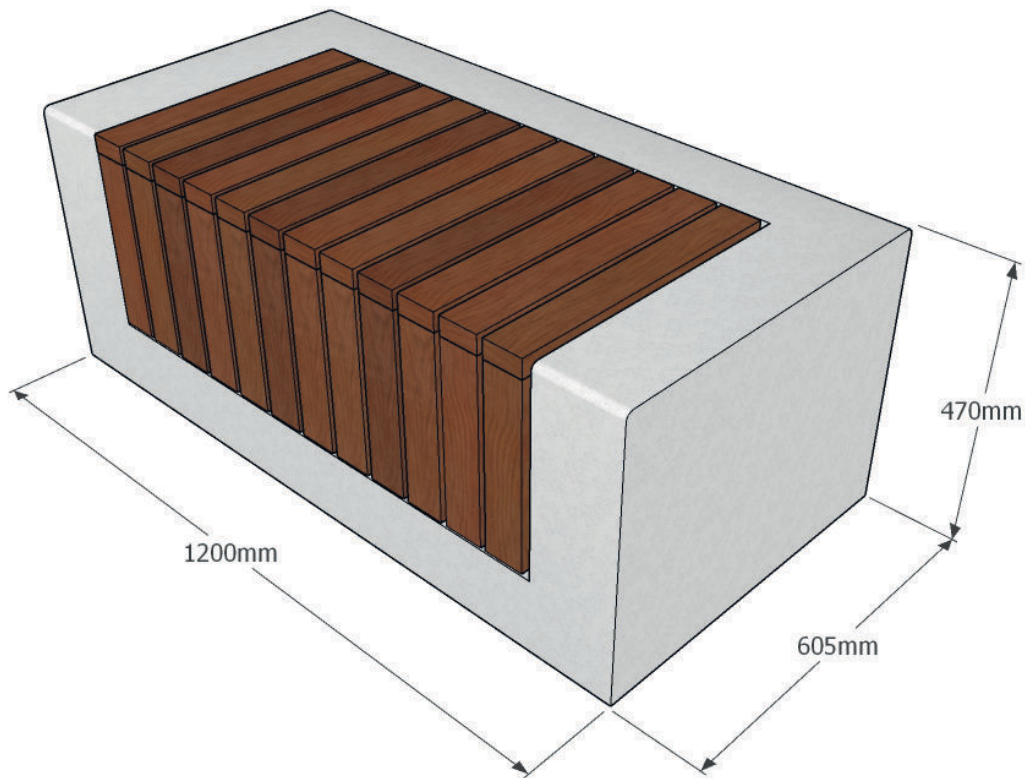
# FACTORY FURNITURE



RAKT Concrete Seating (0.6m)

TECHNICAL SHEET





## 1.2 x 0.6m Single Bench

### Composition

*Slats* - FSC® certified hardwood

*Frame* - Mild steel

*Base* - Smooth white concrete

*(Other concrete finishes are available on request).*  
Galvanised mild steel internal reinforcement frame



### Finishes

*Timber* - Untreated sanded finish as standard

*Mild steel* - Galvanised and polyester powdercoated  
(grey as standard or as per client's specification)

*Concrete* - Concrete sealed (waterproofed and anti-graffiti)

### Dimensions

*Metric* L 1200mm | width 605mm | height 470mm

*Imperial* L 3' 11" | width 2' 0" | height 1' 6½"

### Approx weight

815kg

### Foundation

1 no. pad 1300 x 700 x 400 mm in C20 concrete  
(*recommendation only*)

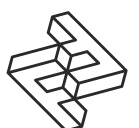
### Handling

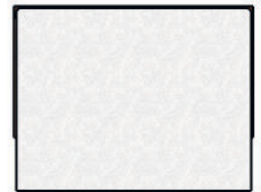
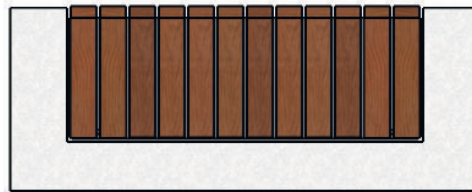
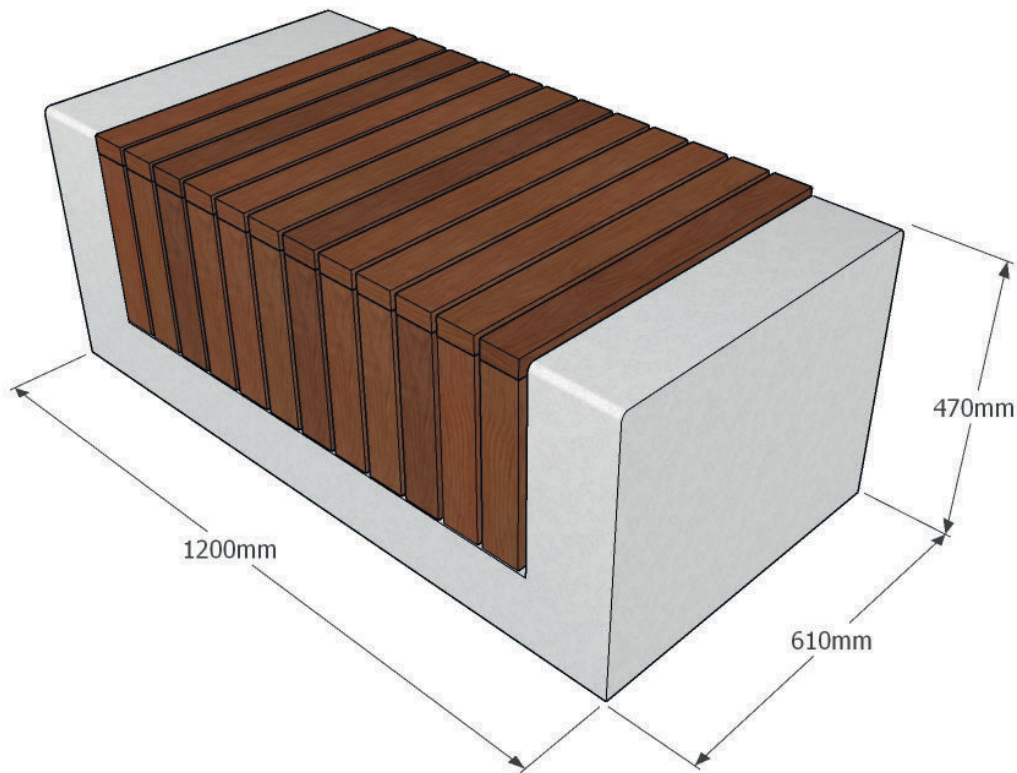
Please observe health & safety lifting guidelines. A fork lift or crane will be required for off loading and positioning of items. Features integrated lifting sockets  
**\*\*Lifting eyes not supplied\*\***

### Maintenance

Depends on usage & position. All elements will require annual cleaning. Galvanised and powder coated mild steel only require maintenance if damaged.

*\*Please note that when a powder-coat is applied over a hot dip galvanised surface pinholing can occur in the surface finish - this is not considered a defect.*





## 1.2 x 0.6m Double Bench

### Composition

*Slats* - FSC® certified hardwood

*Frame* - Mild steel

*Base* - Smooth white concrete

*(Other concrete finishes are available on request).*  
Galvanised mild steel internal reinforcement frame



### Finishes

*Timber* - Untreated sanded finish as standard

*Mild steel* - Galvanised and polyester powdercoated  
(grey as standard or as per client's specification)

*Concrete* - Concrete sealed (waterproofed and anti-graffiti)

### Dimensions

*Metric* L 1200mm | width 610mm | height 470mm

*Imperial* L 3' 11" | width 2' 0" | height 1' 6½"

### Approx weight

803kg

### Foundation

1 no. pad 1300 x 700 x 400 mm in C20 concrete  
(*recommendation only*)

### Handling

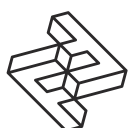
Please observe health & safety lifting guidelines. A fork lift or crane will be required for off loading and positioning of items. Features integrated lifting sockets

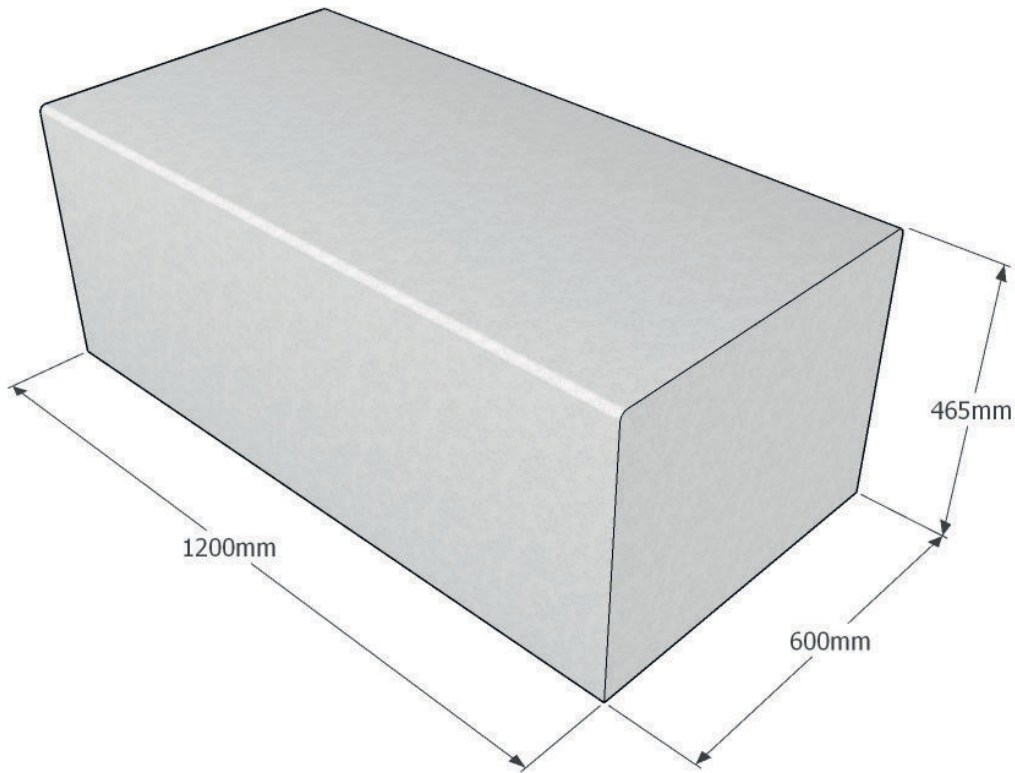
**\*\*Lifting eyes not supplied\*\***

### Maintenance

Depends on usage & position. All elements will require annual cleaning. Galvanised and powder coated mild steel only require maintenance if damaged.

*\*Please note that when a powder-coat is applied over a hot dip galvanised surface pinholing can occur in the surface finish - this is not considered a defect.*





## 1.2 x 0.6m Link Bench

### Composition

Base - Smooth white concrete  
(Other concrete finishes are available on request).  
Galvanised mild steel internal reinforcement frame

### Finishes

Concrete - Concrete sealed (waterproofed and anti-graffiti)

### Dimensions

Metric L 1200mm | width 600mm | height 465mm  
Imperial L 3' 11" | width 1' 11½" | height 1' 6½"

### Approx weight

838kg

### Foundation

1 no. pad 1300 x 700 x 400 mm in C20 concrete  
(recommendation only)

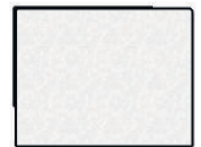
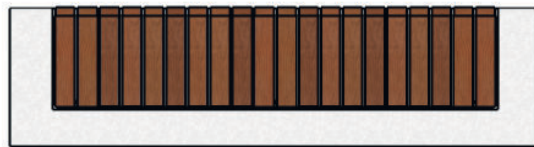
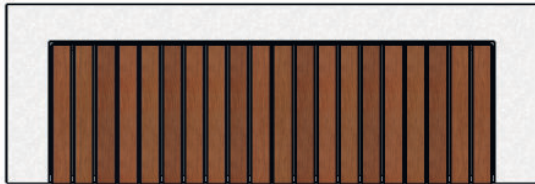
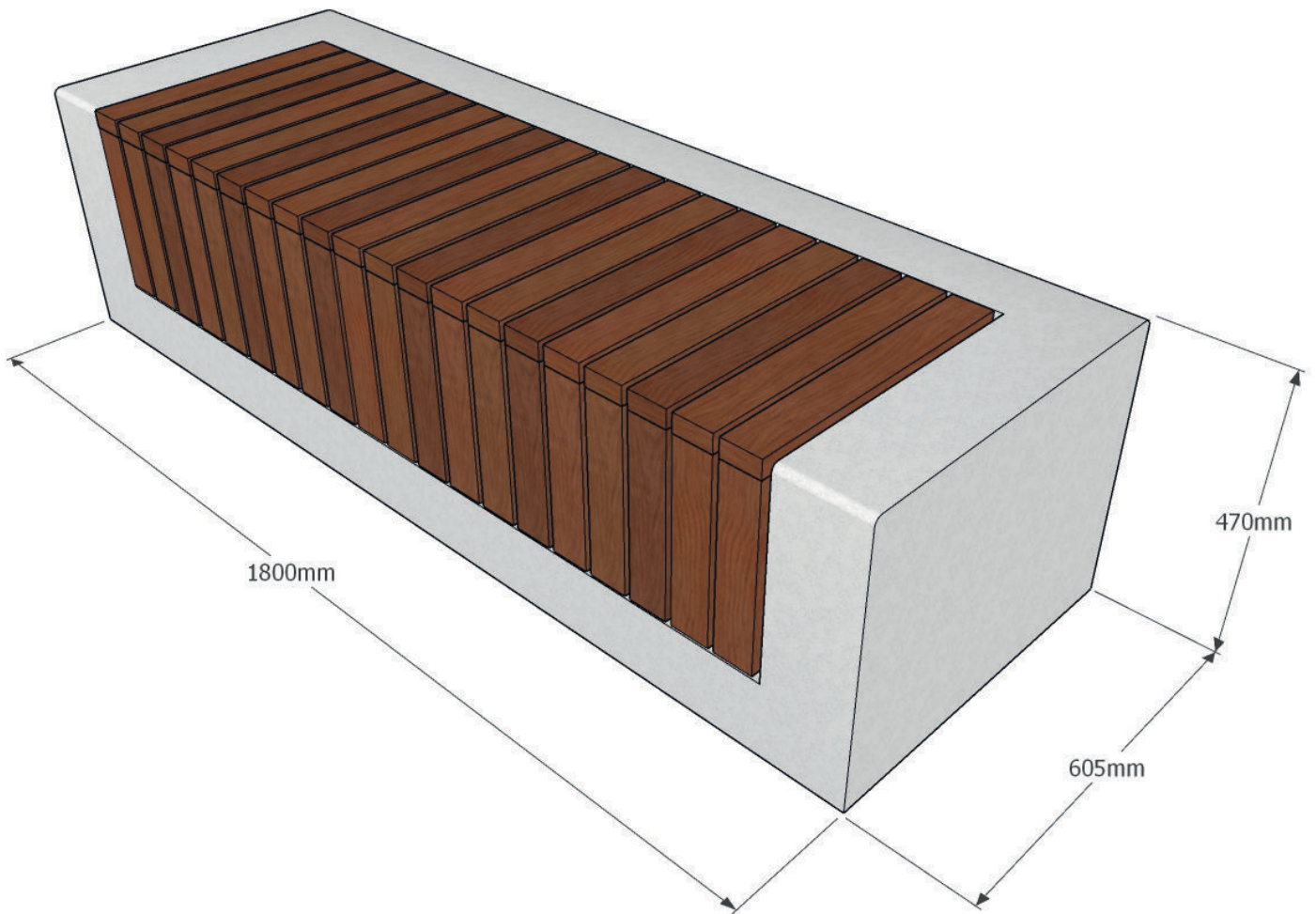
### Handling

Please observe health & safety lifting guidelines. A fork lift or crane will be required for off loading and positioning of items. Features integrated lifting sockets  
**\*\*Lifting eyes not supplied\*\***

### Maintenance

Depends on usage and position. All elements will require annual cleaning. Concrete only requires maintenance if damaged.





## 1.8 x 0.6m Single Bench

### Composition

Slats - FSC® certified hardwood

Frame - Mild steel

Base - Smooth white concrete

(Other concrete finishes are available on request).

Galvanised mild steel internal reinforcement frame



### Finishes

Timber - Untreated sanded finish as standard

Mild steel - Galvanised and polyester powdercoated (grey as standard or as per client's specification)

Concrete - Concrete sealed (waterproofed and anti-graffiti)

### Dimensions

Metric L 1800mm | width 605mm | height 470mm

Imperial L 5' 11" | width 2' 0" | height 1' 6½"

### Approx weight

1219kg

### Foundation

1 no. pad 1900 x 700 x 400 mm in C20 concrete

(recommendation only)

### Handling

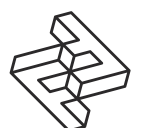
Please observe health & safety lifting guidelines. A fork lift or crane will be required for off loading and positioning of items. Features integrated lifting sockets

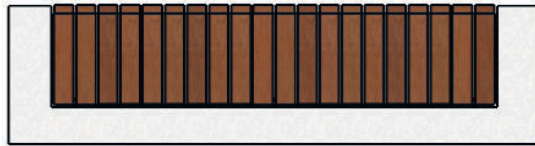
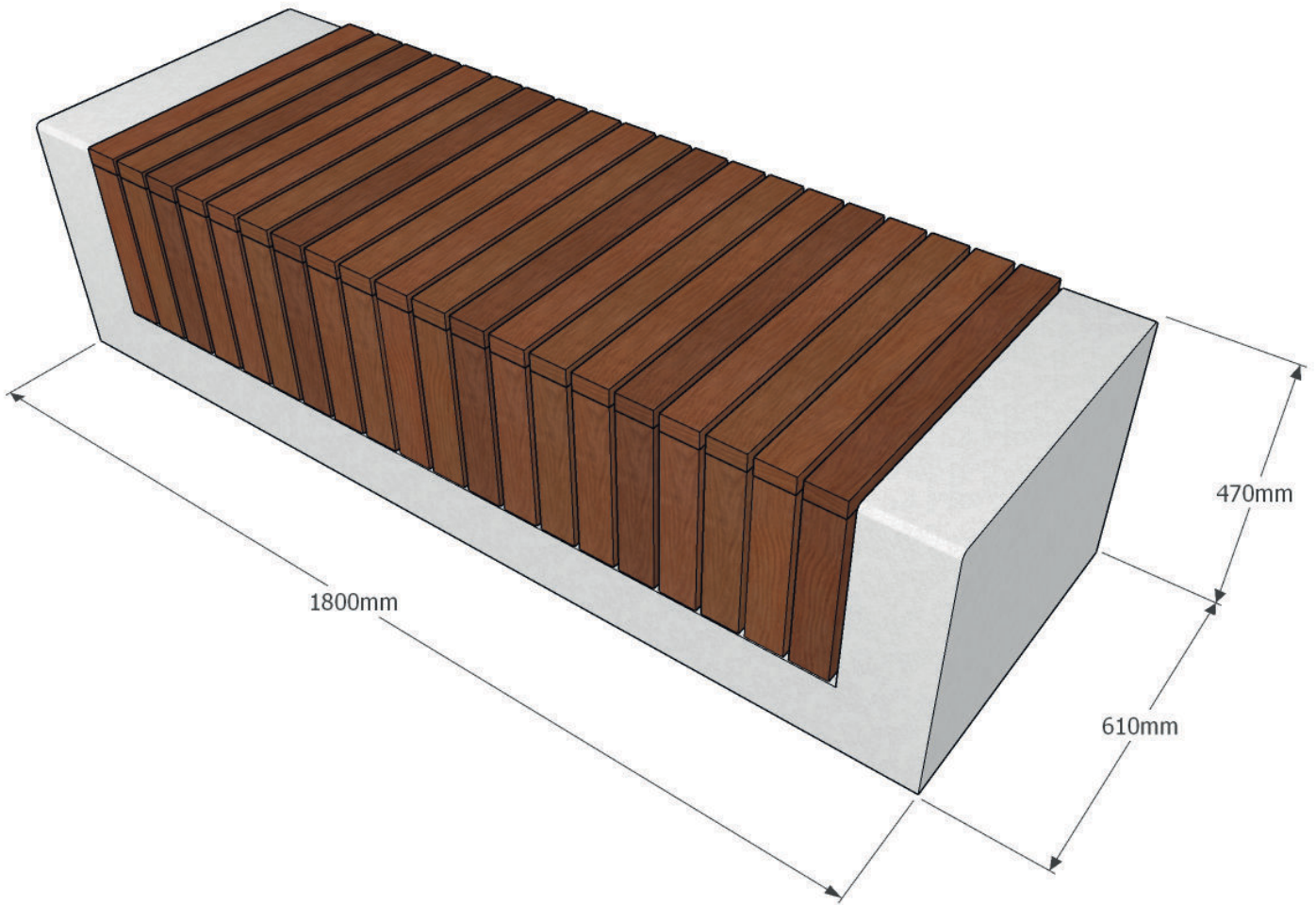
\*\*Lifting eyes not supplied\*\*

### Maintenance

Depends on usage & position. All elements will require annual cleaning. Galvanised and powder coated mild steel only require maintenance if damaged.

\*Please note that when a powder-coat is applied over a hot dip galvanised surface pinholing can occur in the surface finish - this is not considered a defect.





## 1.8 x 0.6m Double Bench

### Composition

Slats - FSC® certified hardwood

Frame - Mild steel

Base - Smooth white concrete

(Other concrete finishes are available on request).

Galvanised mild steel internal reinforcement frame



### Finishes

Timber - Untreated sanded finish as standard

Mild steel - Galvanised and polyester powdercoated (grey as standard or as per client's specification)

Concrete - Concrete sealed (waterproofed and anti-graffiti)

### Dimensions

Metric L 1800mm | width 610mm | height 470mm

Imperial L 5' 11" | width 2' 0" | height 1' 6½"

### Approx weight

1199kg

### Foundation

1 no. pad 1900 x 700 x 400 mm in C20 concrete (recommendation only)

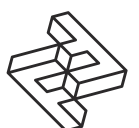
### Handling

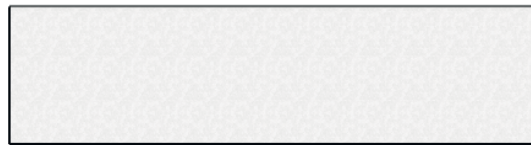
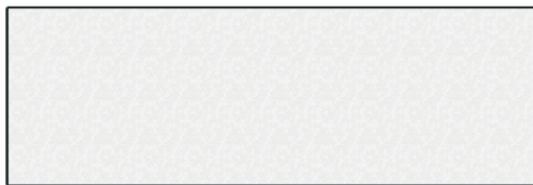
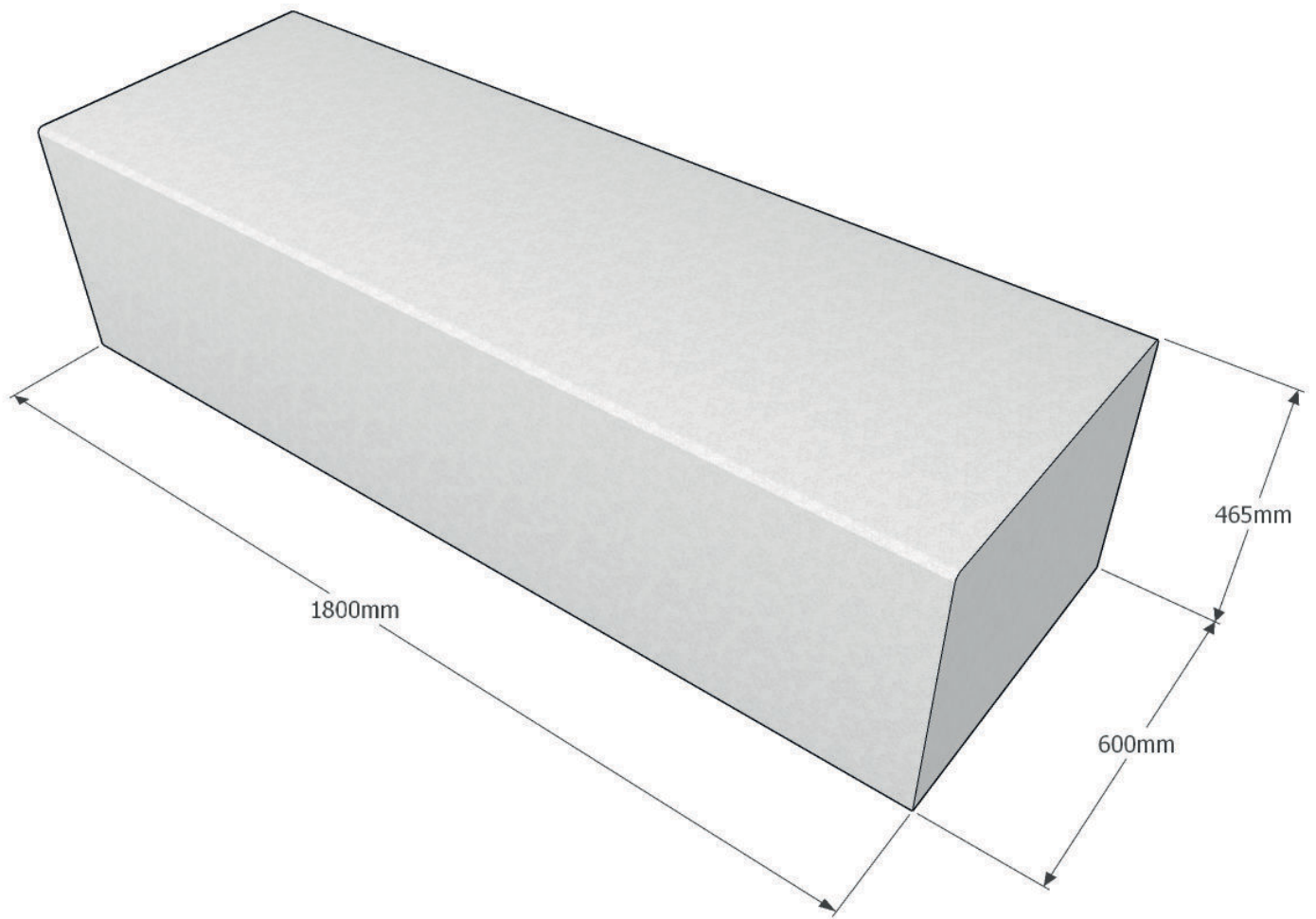
Please observe health & safety lifting guidelines. A fork lift or crane will be required for off loading and positioning of items. Features integrated lifting sockets  
\*\*Lifting eyes not supplied\*\*

### Maintenance

Depends on usage & position. All elements will require annual cleaning. Galvanised and powder coated mild steel only require maintenance if damaged.

\*Please note that when a powder-coat is applied over a hot dip galvanised surface pinholing can occur in the surface finish - this is not considered a defect.





## 1.8 x 0.6m Link Bench

### Composition

Base - Smooth white concrete  
(Other concrete finishes are available on request).  
Galvanised mild steel internal reinforcement frame

### Finishes

Concrete - Concrete sealed (waterproofed and anti-graffiti)

### Dimensions

Metric L 1800mm | width 600mm | height 465mm  
Imperial L 5' 11" | width 1' 11½" | height 1' 6½"

### Approx weight

1256kg

### Foundation

1 no. pad 1900 x 700 x 400 mm in C20 concrete  
(recommendation only)

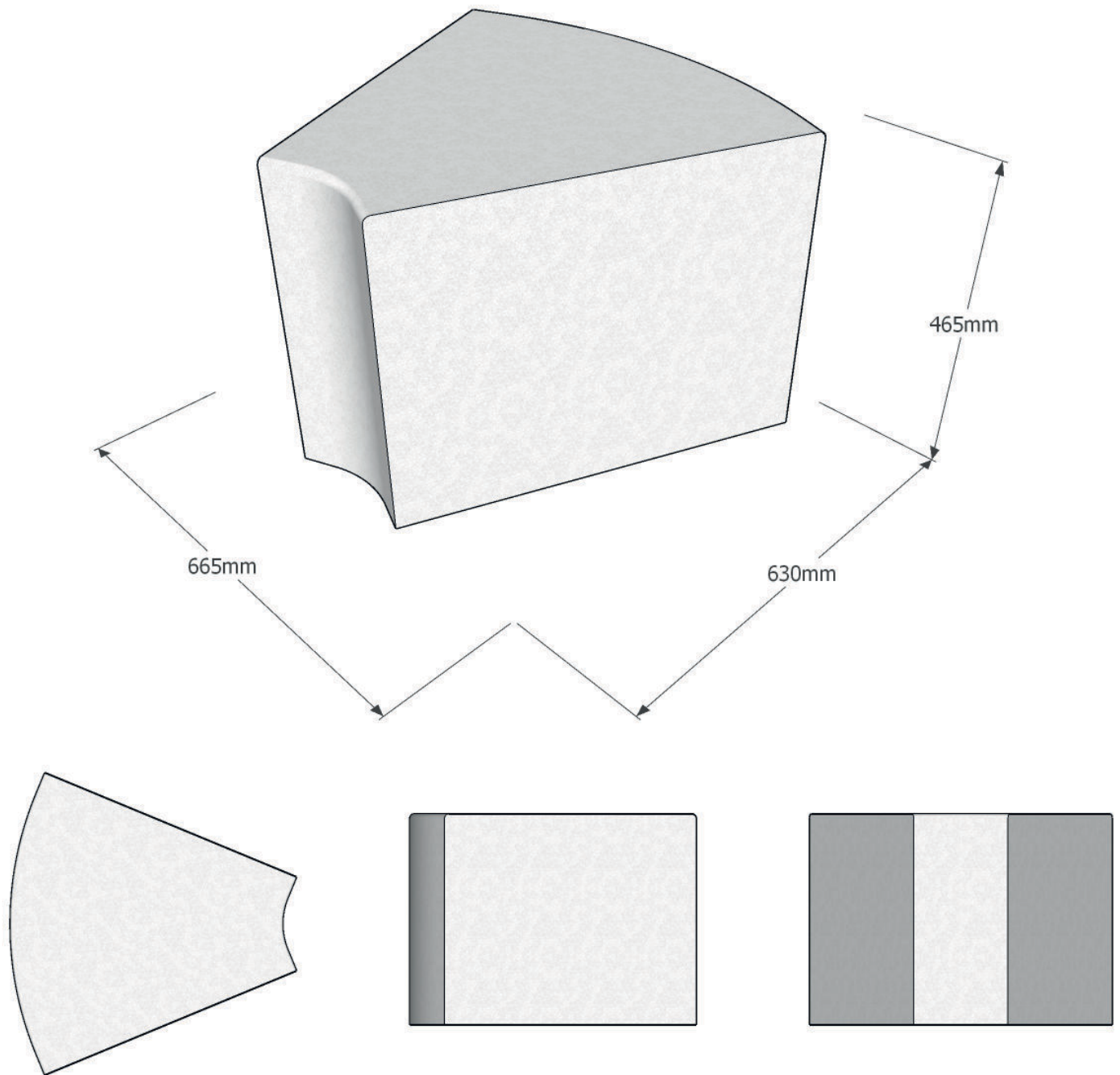
### Handling

Please observe health & safety lifting guidelines. A fork lift or crane will be required for off loading and positioning of items. Features integrated lifting sockets  
**\*\*Lifting eyes not supplied\*\***

### Maintenance

Depends on usage and position. All elements will require annual cleaning. Concrete only requires maintenance if damaged.





## 0.6m Corner Bench

### Composition

Base - Smooth white concrete  
*(Other concrete finishes are available on request).*  
 Galvanised mild steel internal reinforcement frame

### Finishes

Concrete - Concrete sealed *(waterproofed and anti-graffiti)*

### Dimensions

Metric L 665mm | width 630mm | height 465mm  
 Imperial L 2' 2" | width 2' 1" | height 1' 6½"

### Approx weight

317kg

### Foundation

1 no. pad 800 x 750 x 400 mm in C20 concrete  
*(recommendation only)*

### Handling

Please observe health & safety lifting guidelines. A fork lift or crane will be required for off loading and positioning of items. Features integrated lifting sockets  
 \*\*Lifting eyes not supplied\*\*

### Maintenance

Depends on usage and position. All elements will require annual cleaning. Concrete only requires maintenance if damaged.

