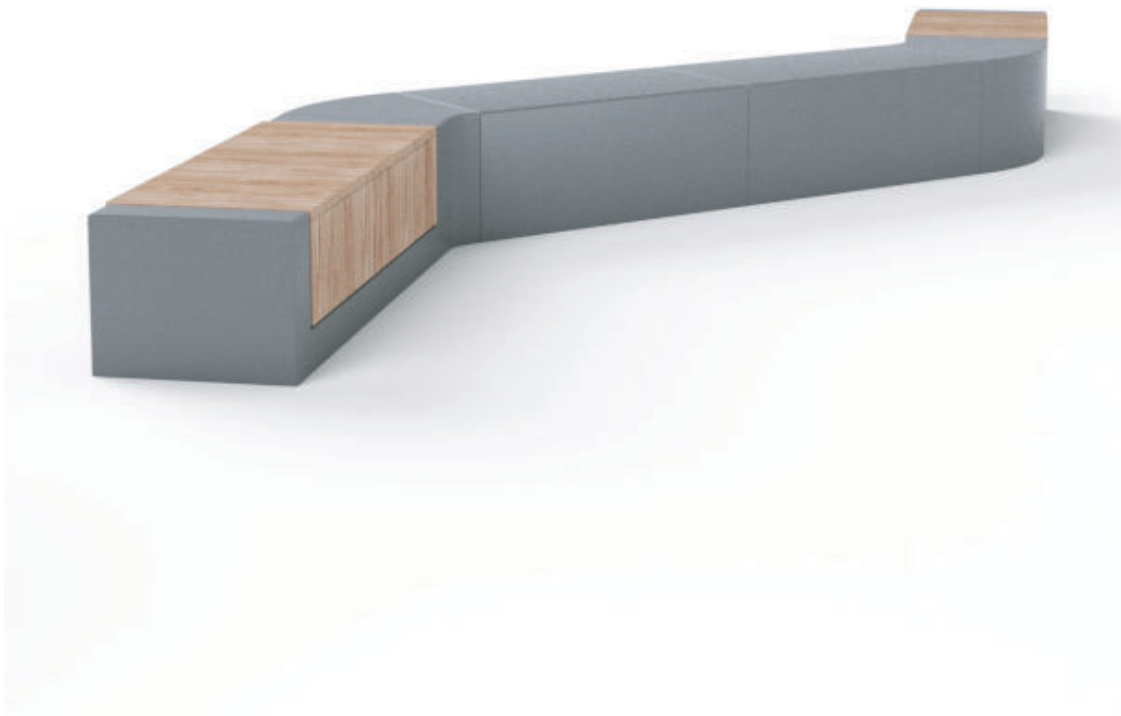
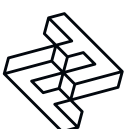


FACTORY FURNITURE



Rakt Steel Seating (0.9m)

OPERATION & MAINTENANCE MANUAL



Introduction

Design

Design, shop drawings and development by Factory Furniture Ltd.

Manufacture

Factory Furniture manufactured components. Products are assembled in Factory workshops, checked and dispatched ready for installation. Replacement products or components thereof should be ordered direct from Factory Furniture Ltd.

Copyright

The design copyright for the product and drawing copyright remains the sole property of Factory Furniture Ltd.

General Specifications

1.2x0.9m Single Bench

Metric L 1200mm | W 905mm | H 470mm

Imperial L 3' 11" | W 2' 11½" | H 1' 6½"

Fixing Centres 900mm (2' 11½") x 700mm (2' 3½")

Approx Weight 119kg

1.2x0.9m Double Bench

Metric L 1200mm | W 910mm | H 470mm

Imperial L 3' 11" | W 3' 0" | H 1' 6½"

Fixing Centres 900mm (2' 11½") x 700mm (2' 3½")

Approx Weight 130kg

1.2x0.9m Link Bench

Metric L 1200mm | W 900mm | H 465mm

Imperial L 3' 11" | W 2' 11½" | H 1' 6½"

Fixing Centres 900mm (2' 11½") x 700mm (2' 3½")

Approx Weight 85kg

1.8x0.9m Single Bench

Metric L 1800mm | W 905mm | H 470mm

Imperial L 5' 11" | W 2' 11½" | H 1' 6½"

Fixing Centres 1500mm (4' 11") x 700mm (2' 3½")

Approx Weight 166kg

1.8x0.9m Double Bench

Metric L 1800mm | W 910mm | H 470mm

Imperial L 5' 11" | W 3' 0" | H 1' 6½"

Fixing Centres 1500mm (4' 11") x 700mm (2' 3½")

Approx Weight 182kg

1.8x0.9m Link Bench

Metric L 1800mm | W 900mm | H 465mm

Imperial L 5' 11" | W 2' 11½" | H 1' 6½"

Fixing Centres 1500mm (4' 11") x 700mm (2' 3½")

Approx Weight 119kg

0.9m Corner Bench

Metric L 895mm | W 1015mm | H 465mm

Imperial L 2' 11" | W 3' 4" | H 1' 6½"

Approx Weight 30kg

Detailed Material & Finish Specifications

Bench Slat Assembly

- Manufactured from FSC® certified tropical hardwood.
- Profiled and left untreated as standard (*oil or microporous woodstain treatment available on request*)
- Slats mounted onto mild steel frame - hot dipped galvanised and polyester powder coated finish (*grey as standard or as per customer specification*)



Base Assembly

- Manufactured from Corten steel featuring an all welded construction. (*Option for galvanised mild steel*)
- Mild steel option - assembly is hot dipped galvanised with polyester powder coated finish (*grey as standard or as per customer specification*)
- Bench slat assembly bolted to base assembly using M8 bolts provided
- Bench is anchored to ground using 4 no. zinc-coated M10 x 75mm sleeve anchors per base. Bench slat assembly must be removed from base to allow access to fixing points.

General Maintenance

(Recommended Schedule & Guidelines)

Daily/Weekly/Monthly (or as adopted)

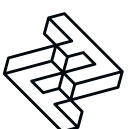
Visual checks of bench slat assembly and base assembly - check all items for superficial or physical damage.

Three Monthly

Clean all items as detailed below check all fixings are seated correctly; inspect timber for serious damage and splinters.

Six Monthly

Secure all fixings; full clean as detailed below; check that bench is firmly secured to the ground.



Specific Maintenance Details

FSC Timber

Clean with a stiff brush once per year, especially in more exposed locations, in order to prevent a verdigris type build up on the timber surface. Ideally this should be completed in early spring. During the cleaning stage, all exposed timber surfaces should be inspected for splits and splinters. Any splinters and graffiti should be removed and the surface sanded with 100 grit sandpaper in order to remove any uneven / sharp edges or surfaces

During the first few months after installation the tannin naturally occurring in the timber may leach out and cause a brown staining on the bases. This may be removed with a light solution of household bleach and water.

Corten Steel

Clean as required (but at least every three months) with warm soapy water.

Polyester Powder Coated & Galvanised Surfaces

For general cleaning using a damp cloth and warm soapy water only. Scourers and abrasive cleaners are NOT suitable for this type of finish and may damage it. Before using any cleaning agents to remove graffiti etc. try on a small, inconspicuous area first to avoid causing more unsightly damage.

Repairs

FSC Timber

For light damage, please see section on specific maintenance details above. For instances of heavy damage, the timber item should be replaced. Please order against the part number reference in the reordering section towards the end of this manual.

Galvanised Surfaces

For light damage to hot dipped galvanised finishes repair using a high performance cold galvanising zinc spray (70% zinc or above). Spray application should be carried out in accordance with approved methods detailed by the product manufacturer. Please note that it is advisable to use professional painters to achieve best results when touching up larger areas.

Polyester Powder Coated Surfaces

For light damage (scratches, chips etc.) repair using touch-up paint to match original colour (available from Factory Furniture Ltd). Paint application should be carried out in accordance with approved methods detailed by the paint manufacturer. Please note that it is advisable to use professional painters to achieve best results when touching up larger areas. Products for respraying larger areas are available from Factory Furniture Ltd.

Heavy Damage

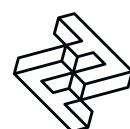
In the event of serious damage to any component, replacements should be ordered from Factory Furniture Ltd. Should further assistance be required (or if the product needs to be disassembled for any reason), please contact Factory Furniture for detailed technical advice.

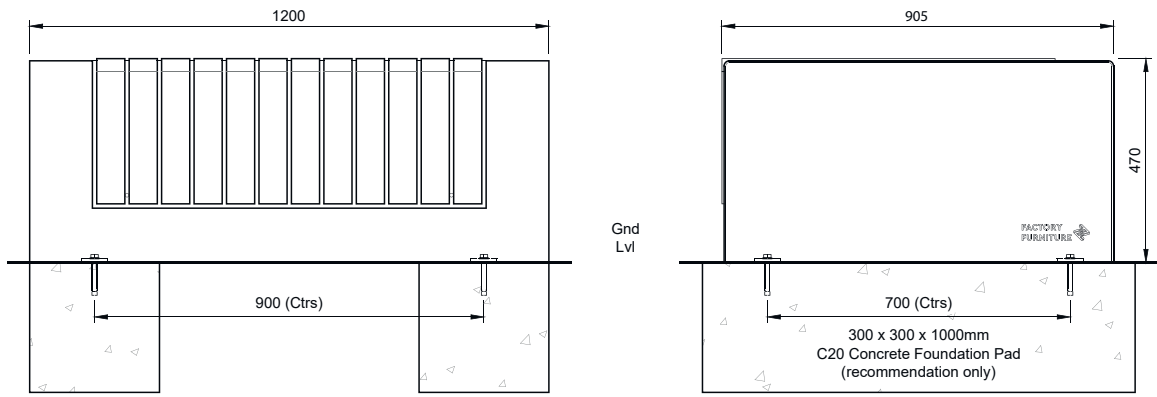
Installation Instructions

All installation works to be carried out by competent personnel - install as complete unit.

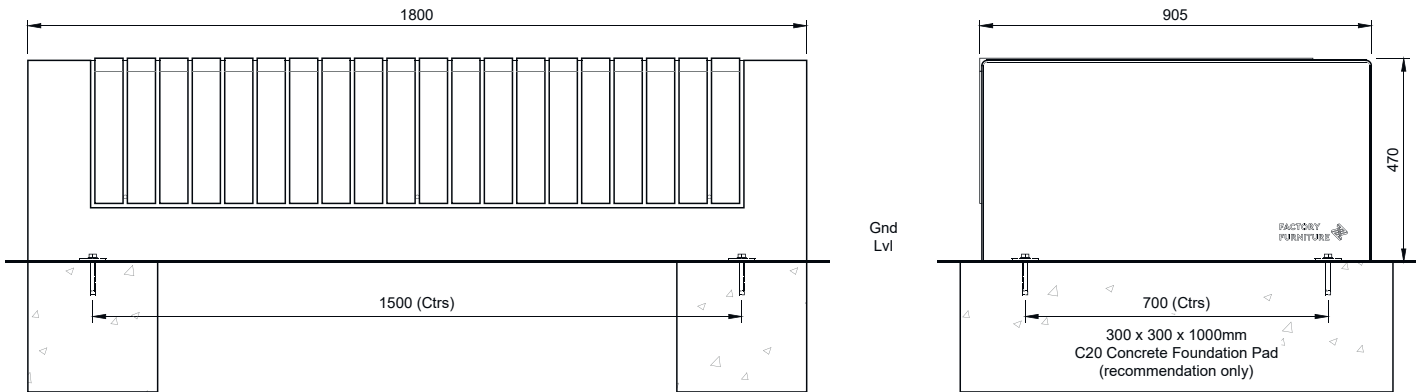
Steel Rakt Bench (0.9m)

1. Install suitable foundation pads (see illustration) with top face at ground level.
2. Position bench in correct orientation with base plates centrally on foundation pads.
3. Unbolt and remove bench slat assembly to access base fixing points, and place carefully to one side.
4. Mark hole positions through base plates. Corner benches are not fixed to ground only to adjacent benches.
5. Remove the bench; drill holes $\varnothing 12\text{mm} \times 90\text{mm}$ deep (or as bolt manufacturer's recommendations)
6. Clear debris from holes.
7. Reposition bench unit and fix to foundation pads using 4 no. zinc-coated M10 x 75mm sleeve anchors per bench tightened to 50Nm (or as per manufacturer's instruction).
8. If a number of benches are to be installed in a run then bolt benches together using M8 nuts and bolts provided ensuring that each bench is separated from the next with a join spacer (provided).
9. Re-attach bench slat assembly to base using M8 bolts provided. (Link and corner benches have no slat assembly).
10. Check level and reinstate ground if necessary.

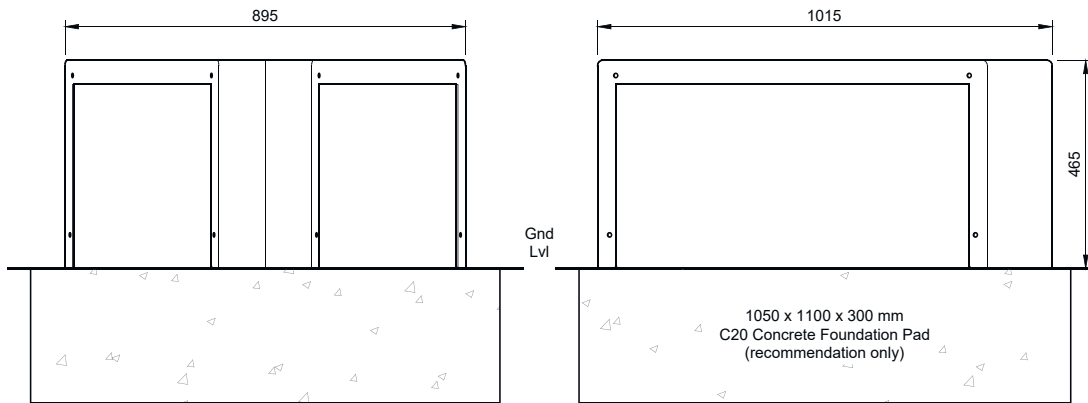




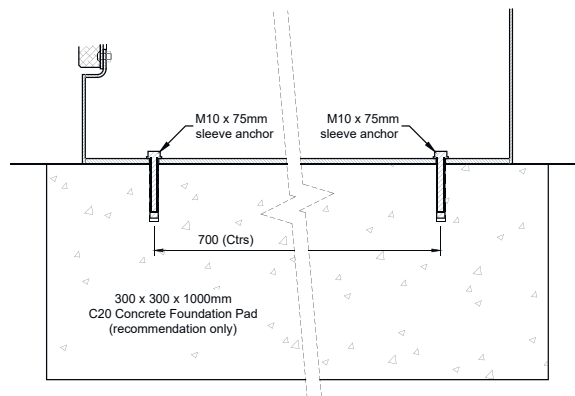
1.2 x 0.9m Single Bench (Detail same for Double & Link Bench)



1.8 x 0.9m Single Bench (Detail same for Double & Link Bench)



0.9m Corner Bench



5 Pioneer Road, Faringdon,
Oxfordshire SN7 7BU
+44 (0)1367 242731
hello@factoryfurniture.co.uk

