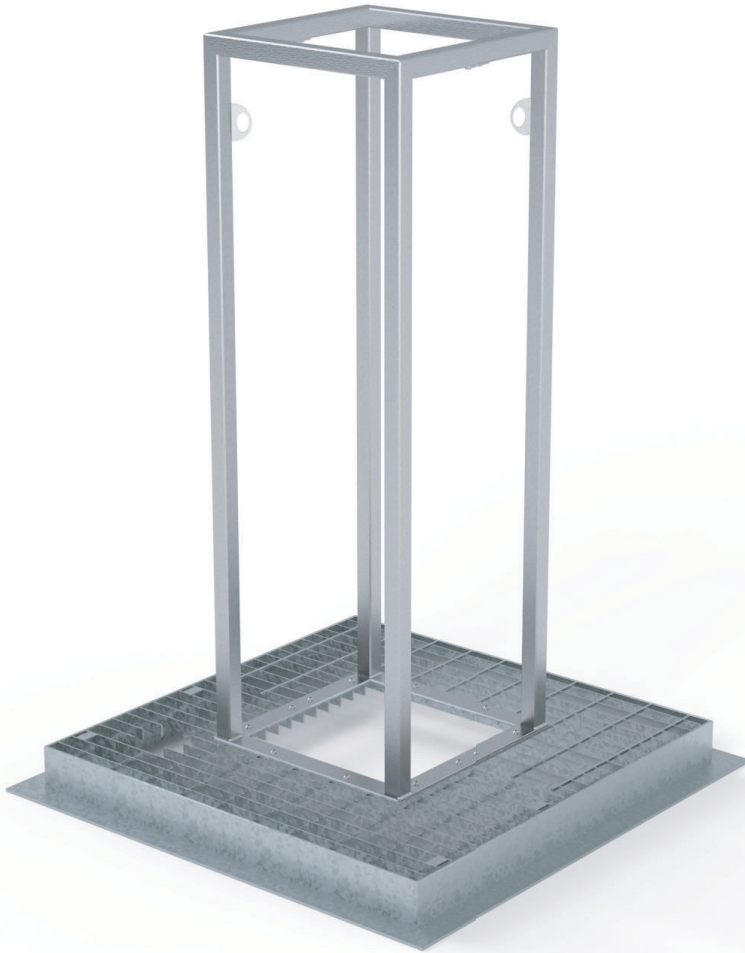
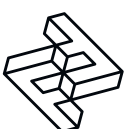


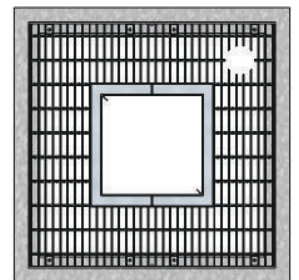
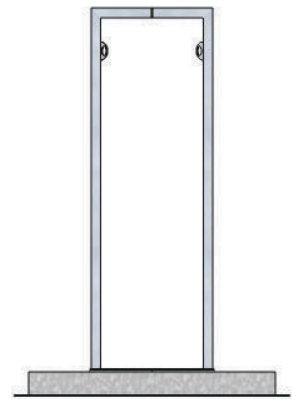
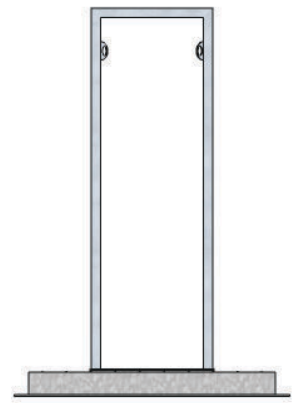
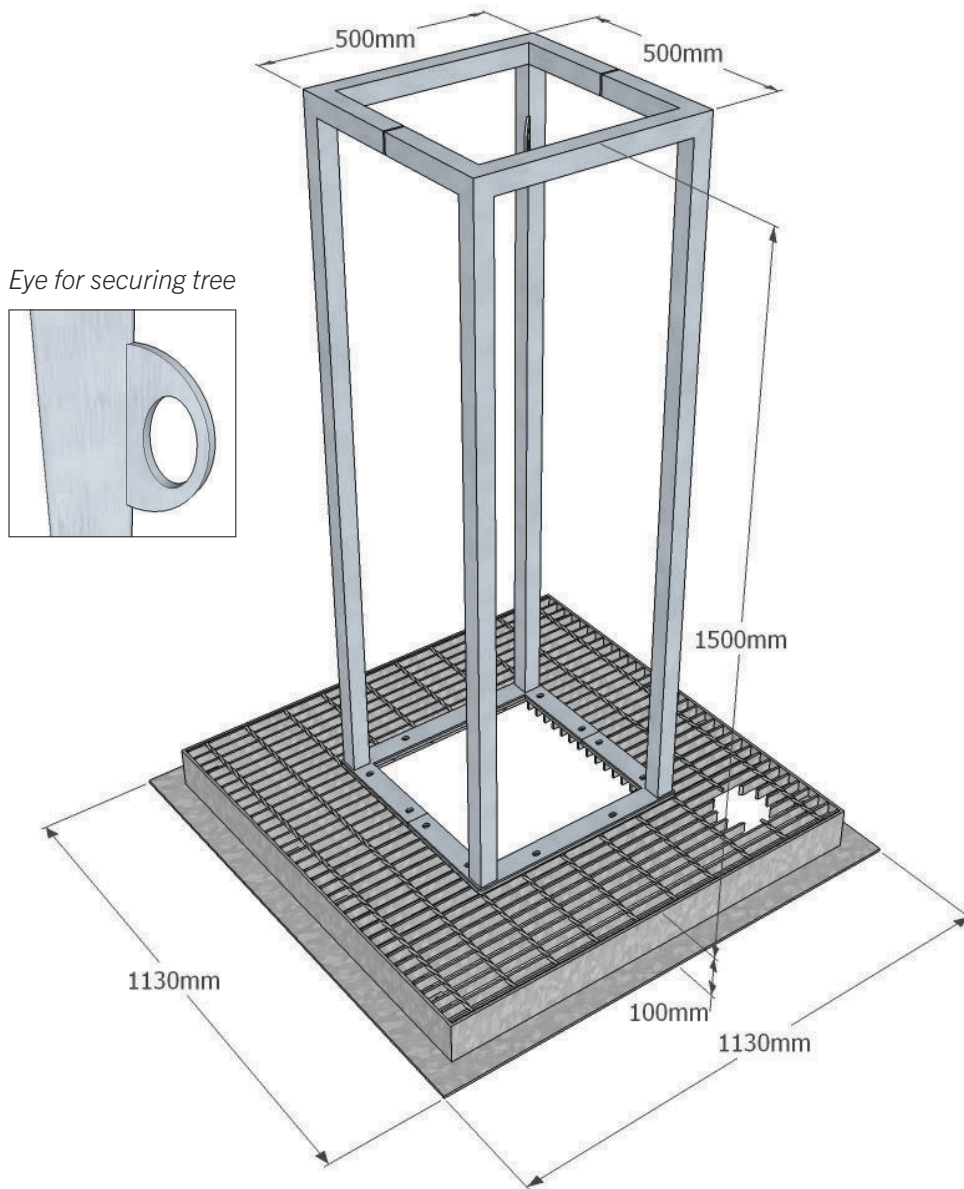
FACTORY FURNITURE



Skop Tree Guard & Grille

TECHNICAL SHEET





Composition

Frame - Stainless steel
Grille / base - Mild steel

Finishes

Stainless steel - Satin polished finish
Mild steel - Galvanised as standard (*polyester powder-coated option available*)

Dimensions

Metric L 1130mm | width 1130mm | height 1500mm*

Imperial L 3' 8½" | width 3' 8½" | height 4' 11"

*Not including +100mm below ground level

Approx weight

102kg

Fixing method

Grille frame root fixed 100mm (4") below ground level

Foundation

N/A

Handling

Please observe health and safety lifting guidelines. A forklift or crane will be required afor off-loading and positioning of product.

Maintenance

Depends on usage and position. All elements will require annual cleaning. Galvanised and powder-coated steel will require maintenance only if damaged. Stainless steel requires no maintenance.

