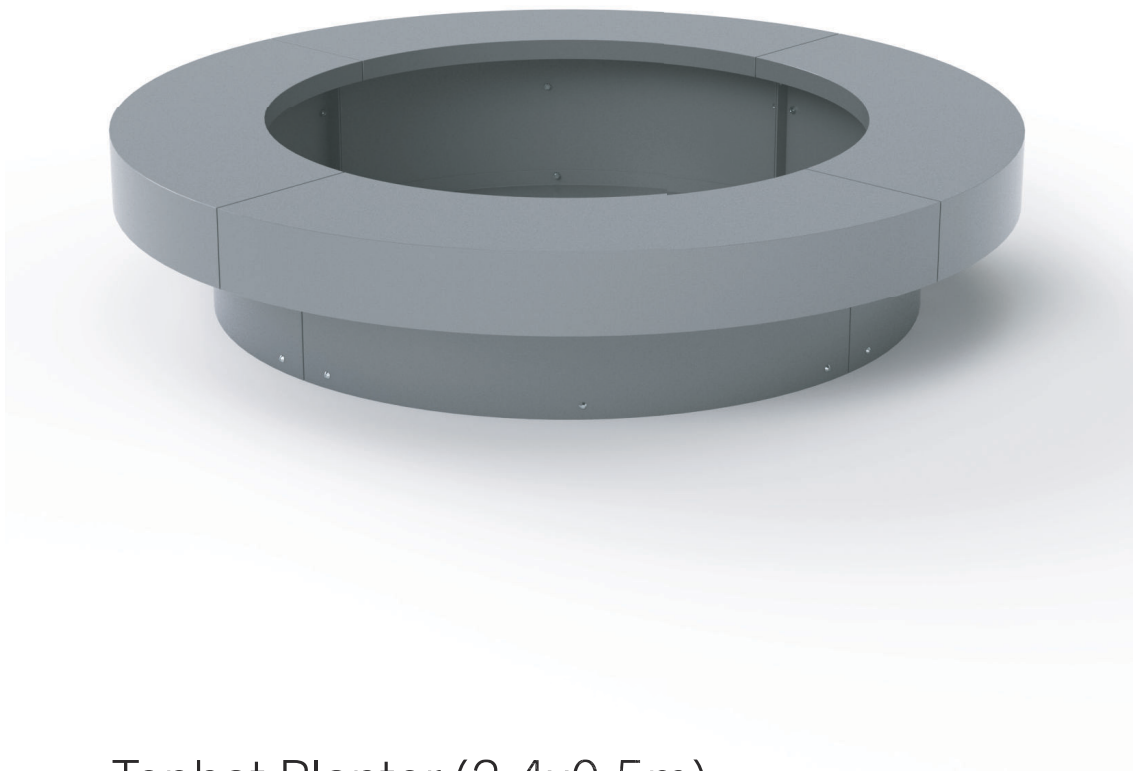
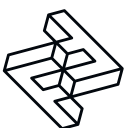


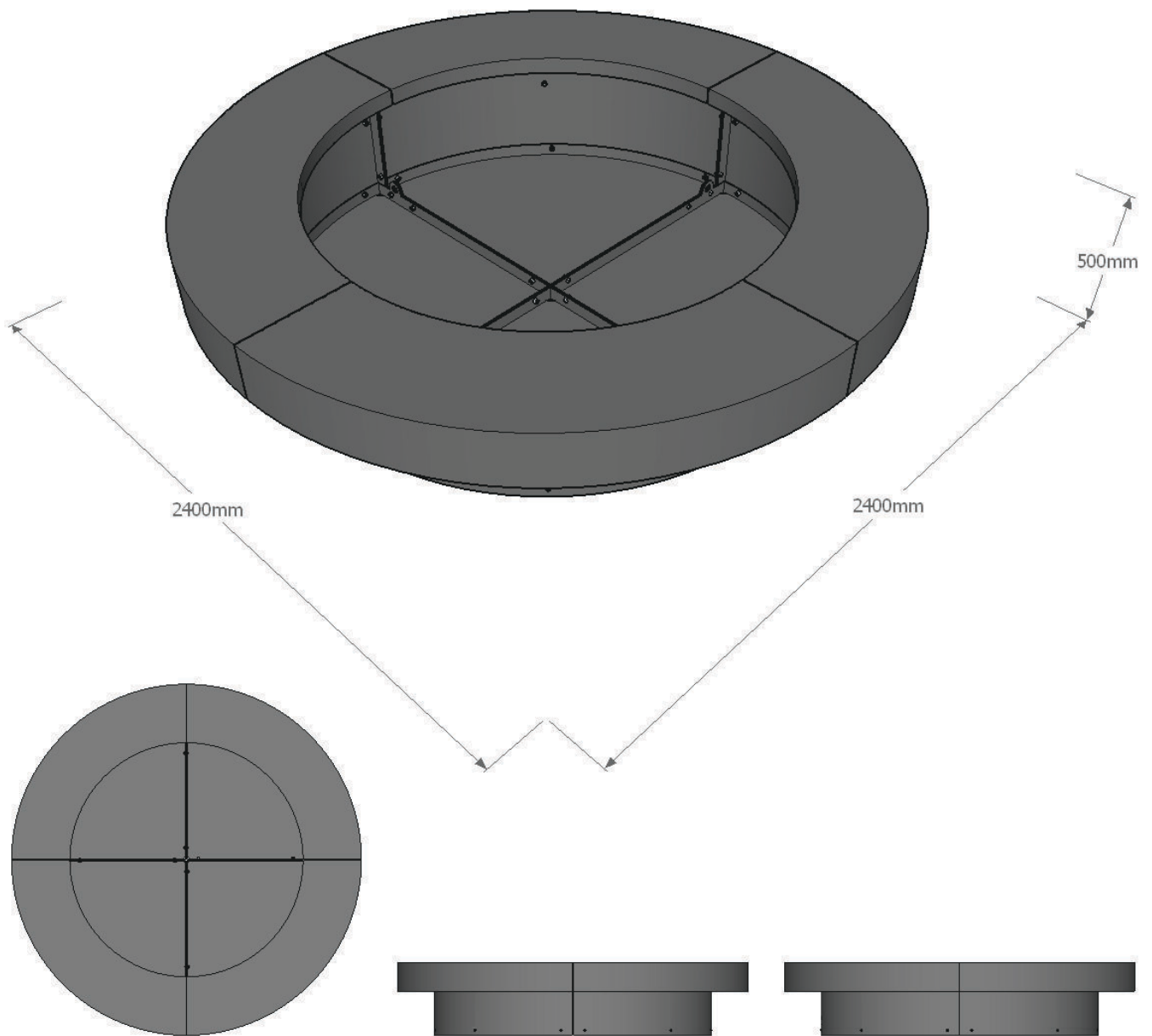
# FACTORY FURNITURE



Tophat Planter (2.4x0.5m)

TECHNICAL SHEET





## Composition

Frame - Mild steel (Corten steel option available)

## Finishes

Mild steel - Galvanised and polyester powder-coated (grey as standard or as per client's specification)

Corten steel option - Steel is left untreated

## Dimensions

Metric L 2400mm | width 2400mm | height 500mm

Imperial L 7' 10½" | width 7' 10½" | height 1' 7½"

## Approx weight

335kg

## Planter capacity

1200ltrs

## Handling

Please observe health & safety lifting guidelines. A forklift or crane will be required for off-loading and positioning of items. Integral lifting eyes provided.

## Maintenance

Depends on usage and position. All elements require annual cleaning. Galvanised and powder coated mild steel parts only require maintenance if damaged. Corten steel requires no maintenance.

*\*Please note that when a powdercoat is applied over a hot dip galvanised surface pinholing can occur in the surface finish - this is not considered a defect*

