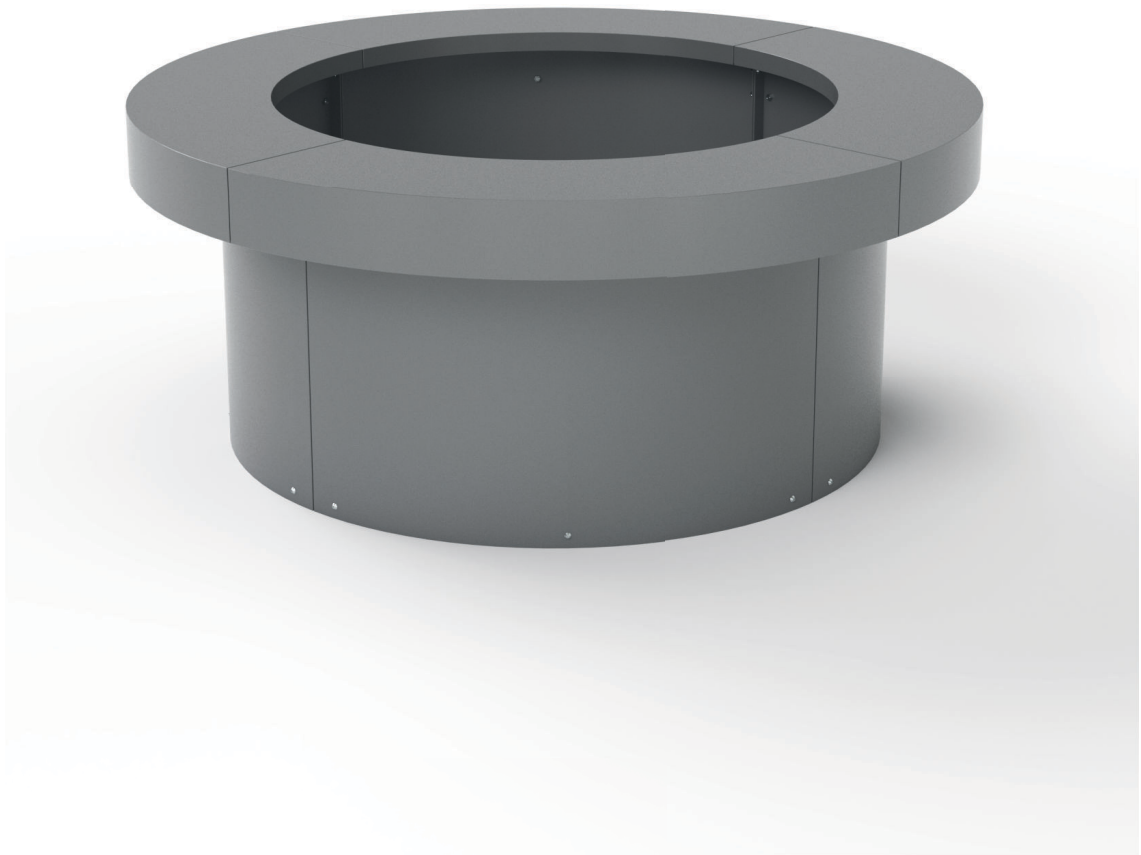
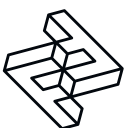


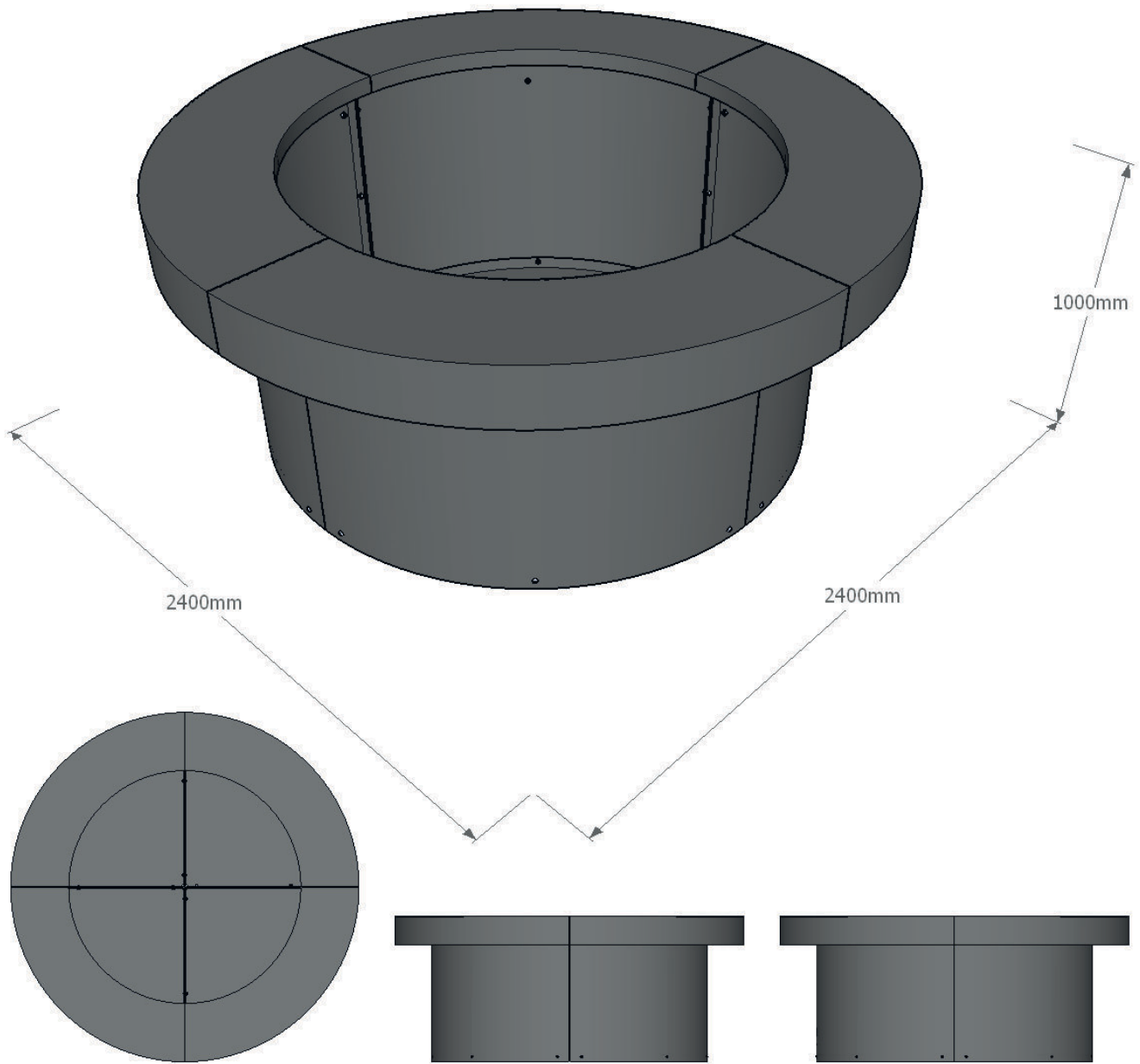
FACTORY FURNITURE



Tophat Planter (2.4x1.0m)

TECHNICAL SHEET





Composition

Frame - Mild steel (Corten steel option available)

Finishes

Mild steel - Galvanised and polyester powder-coated*
(grey as standard or as per client's specification)

Corten steel option - Steel is left untreated

Dimensions

Metric L 2400mm | width 2400mm | height 1000mm
Imperial L 7' 10½" | width 7' 10½" | height 3' 3½"

Approx weight

437kg

Planter capacity

2600ltrs

Handling

Please observe health & safety lifting guidelines. A forklift or crane will be required for off-loading and positioning of product. Integral lifting eyes provided.

Maintenance

Depends on usage and position. All elements require annual cleaning. Galvanised and powder coated mild steel parts only require maintenance if damaged. Corten steel requires no maintenance.

**Please note that when a powdercoat is applied over a hot dip galvanised surface pinholing can occur in the surface finish - this is not considered a defect.*

