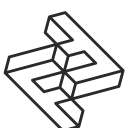


FACTORY FURNITURE

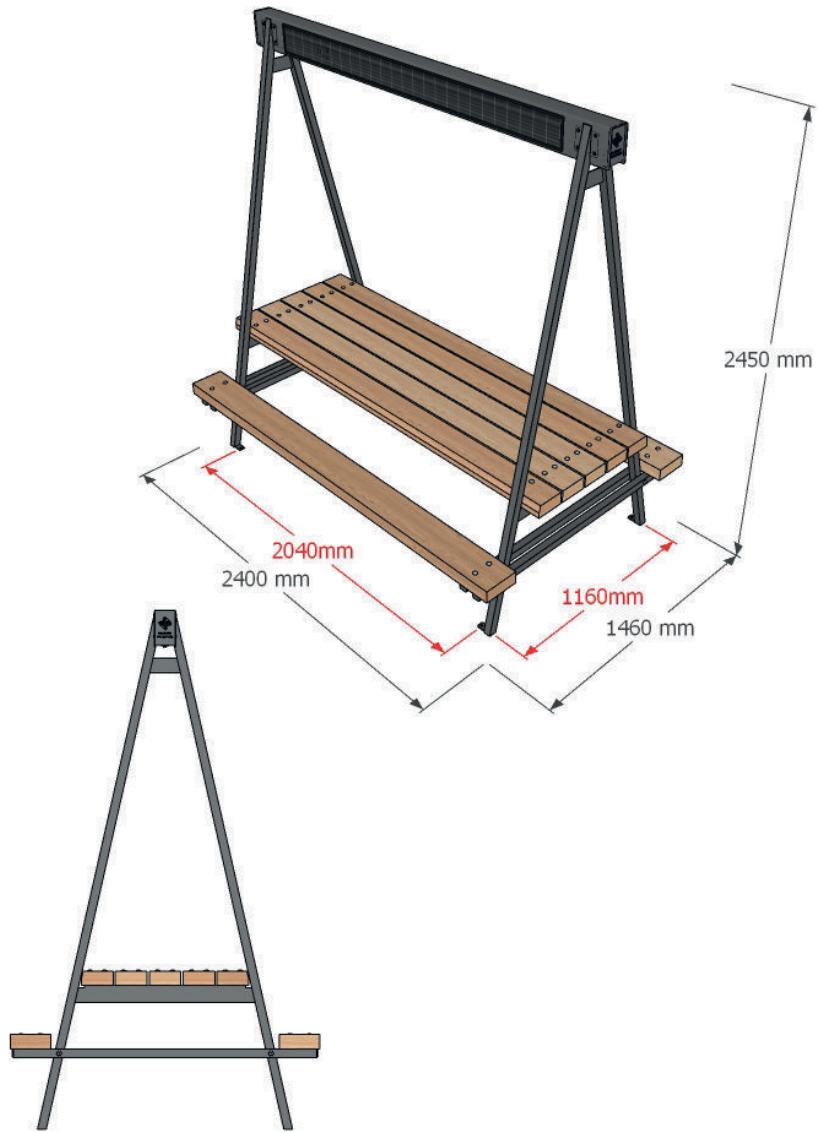
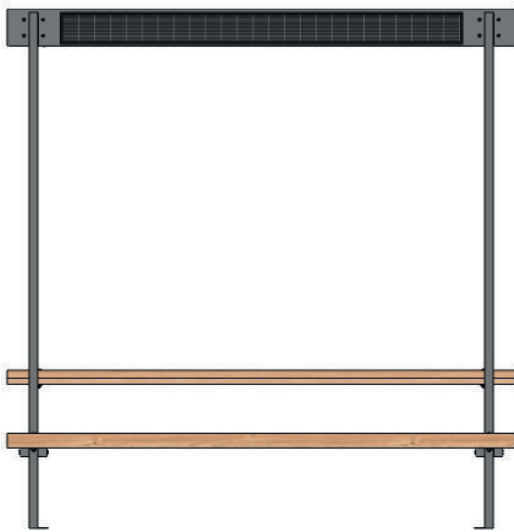


Meet Table

TECHNICAL SHEET



Solar Lighting Option



Composition

Slats - FSC® certified softwood
(Option for FSC certified
hardwood available)

Frame - Mild steel

Power for lighting - Solar



Finishes

Timber - Tanalised sanded finish as standard

Mild steel - Galvanised as standard (polyester
powder-coated option available)*

Dimensions

Metric L - 2400mm | W - 1460mm | H - 2450mm

Imperial L - 7' 10½" | W - 4' 9½" | H - 8' ½"

Approx weight

185kg

Fixing centres

2040mm (6' 8½") x 1160mm (3' 9½")

Fixing method

4 off resin fixed anchors

Foundation

4 no. pads 400 x 400 x 400 mm in C20 concrete
(recommendation only)

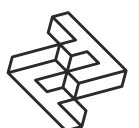
Handling

Please observe health and safety lifting guidelines.
A fork lift or crane will be required for off loading and
positioning of this product

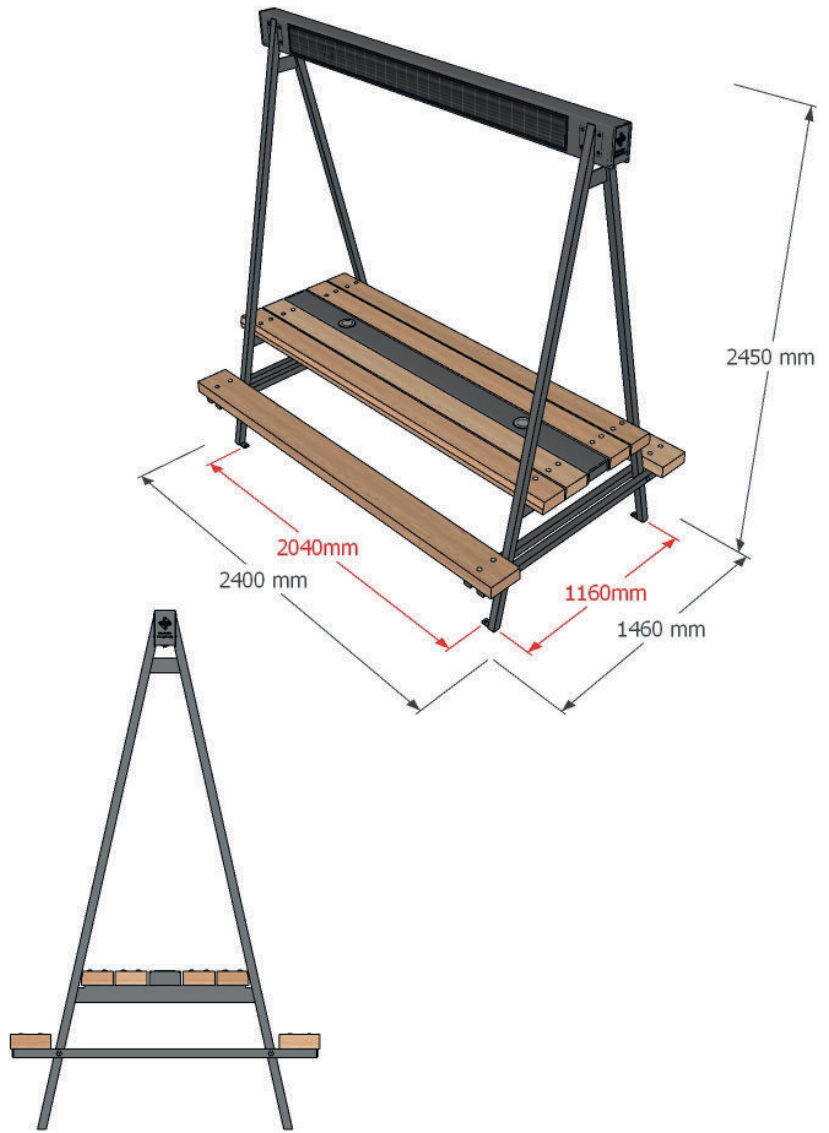
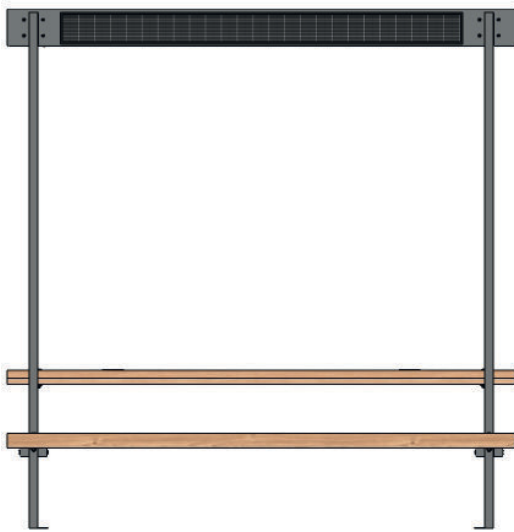
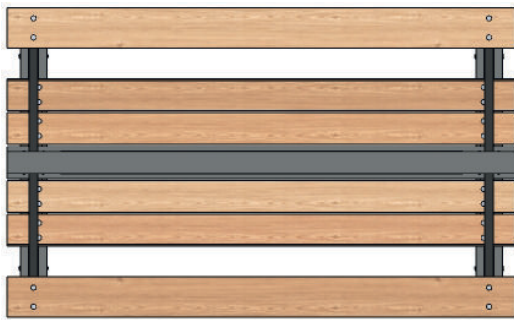
Maintenance

Depends on usage and position. All elements will
require annual cleaning. Galvanised and powder
coated mild steel only require maintenance if
damaged.

*Please note that when a powder-coat is applied
over a hot dip galvanised surface pinholing can
occur in the surface finish - this is not
considered a defect.



Solar Lighting & Phone Charging Option



Composition

Slats - FSC® certified softwood
(Option for FSC certified
hardwood available)

Frame - Mild steel

Power for lighting & phone charging - Solar



Finishes

Timber - Tanalised sanded finish as standard

Mild steel - Galvanised as standard (polyester
powder-coated option available)*

Dimensions

Metric L - 2400mm | W - 1460mm | H - 2450mm

Imperial L - 7' 10½" | W - 4' 9½" | H - 8' ½"

Approx weight

186kg

Fixing centres

2040mm (6' 8½") x 1160mm (3' 9½")

Fixing method

4 off resin fixed anchors

Foundation

4 no. pads 400 x 400 x 400 mm in C20 concrete
(recommendation only)

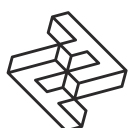
Handling

Please observe health and safety lifting guidelines.
A fork lift or crane will be required for off loading and
positioning of this product

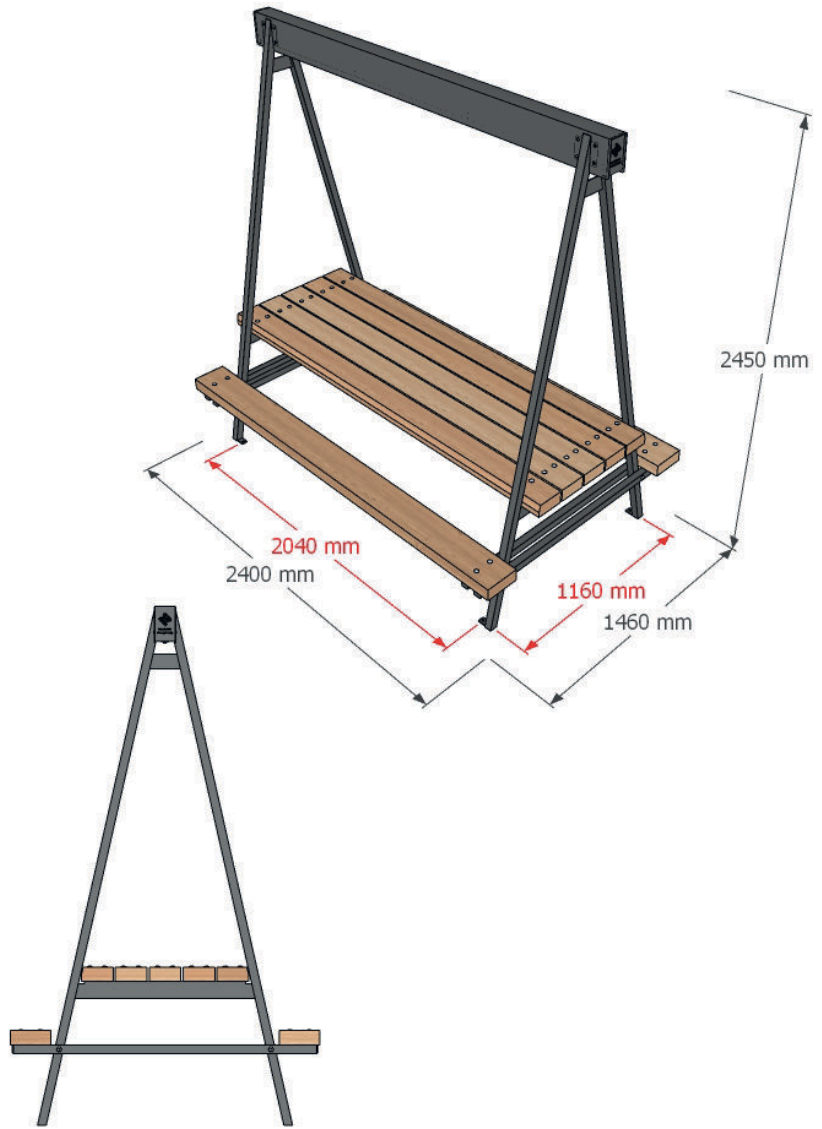
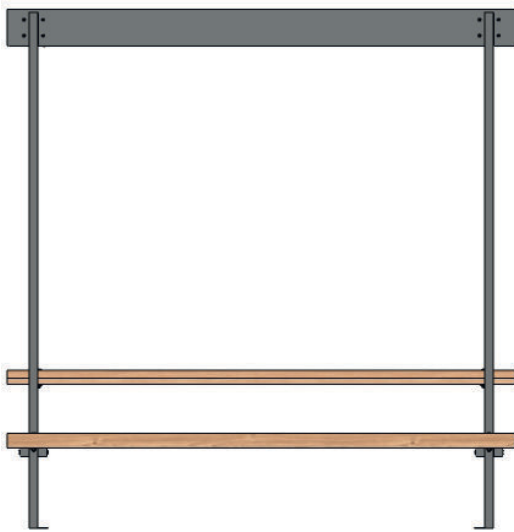
Maintenance

Depends on usage and position. All elements will
require annual cleaning. Galvanised and powder
coated mild steel only require maintenance if
damaged.

*Please note that when a powder-coat is applied
over a hot dip galvanised surface pinholing can
occur in the surface finish - this is not
considered a defect.



Mains Lighting Option



Composition

Slats - FSC® certified softwood
(Option for FSC certified
hardwood available)

Frame - Mild steel

Power for lighting - Mains



Finishes

Timber - Tanalised sanded finish as standard

Mild steel - Galvanised as standard (polyester
powder-coated option available)*

Dimensions

Metric L - 2400mm | W - 1460mm | H - 2450mm

Imperial L - 7' 10½" | W - 4' 9½" | H - 8' ½"

Approx weight

179kg

Fixing centres

2040mm (6' 8½") x 1160mm (3' 9½")

Fixing method

4 off resin fixed anchors

Foundation

4 no. pads 400 x 400 x 400 mm in C20 concrete
(recommendation only)

Handling

Please observe health and safety lifting guidelines.
A fork lift or crane will be required for off loading and
positioning of this product

Maintenance

Depends on usage and position. All elements will
require annual cleaning. Galvanised and powder
coated mild steel only require maintenance if
damaged.

*Please note that when a powder-coat is applied
over a hot dip galvanised surface pinholing can
occur in the surface finish - this is not
considered a defect.

