

# FACTORY FURNITURE



BEAM Single Bench

# Introduction

## Design

Design, shop drawings and development by Factory Furniture Ltd

## Manufacture

Factory Furniture manufactured components. Products are assembled in Factory workshops, checked and dispatched ready for installation. Replacement products or components should be ordered direct from Factory Furniture Ltd.

## Copyright

The design copyright for the product and drawing copyright remains the sole property of Factory Furniture Ltd.

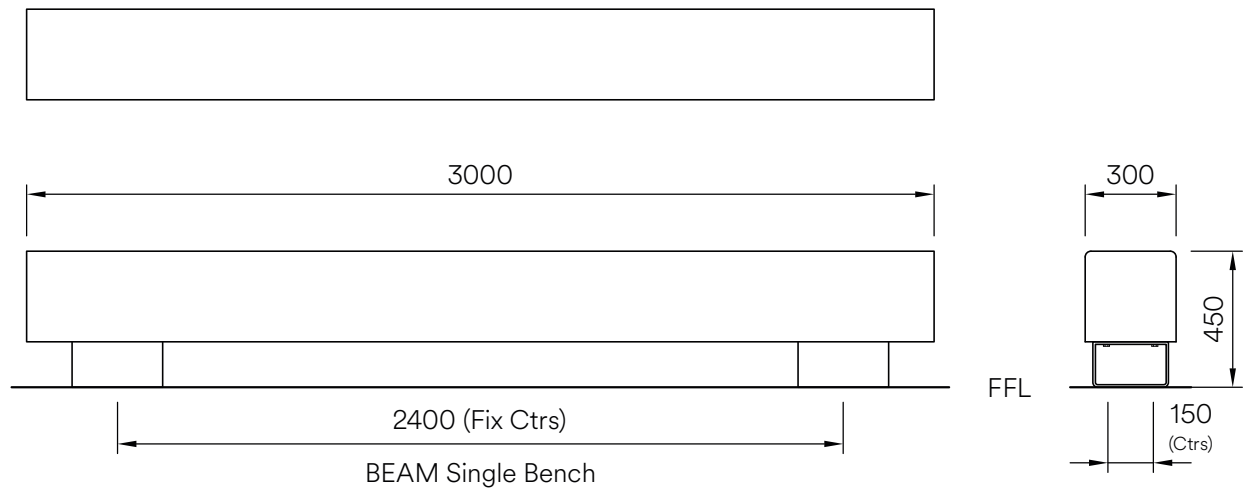
## Timber

All timber used in Factory Furniture products is FSC® certified



# Contents

Spec Sheet	
BEAM Single Bench	... 3
Detailed Materials & Maintenance	... 4
Installation Instructions	... 5
NBS Specifications	... 6



## Composition

Slats - FSC® certified hardwood

Frame - Mild steel

## Finishes

Timber - Untreated sanded finish as standard

Mild steel - Hot-dip galvanised (polyester powder-coated finish available (colour as per client's specification))

## Dimensions

Metric L 3000mm | width 300mm | height 450mm

Imperial L 9' 10" | width 12" | height 1' 5½"

## Approx weight

320kg

## Fixing centres

2400mm (7' 10½") x 150mm (6")

## Fixing method

2 off Resin stud anchors per base (4 anchors total)

## Foundation

2 no. pad 400 x 400 x 400 mm in C20 concrete  
(recommendation only)

## Handling

Please observe health & safety lifting guidelines. A forklift or crane will be required for off-loading and positioning of this product.

## Maintenance

Depends on usage and position. All elements will require cleaning annually. Galvanised and powder coated mild steel only require maintenance if damaged.

\*Please note that when a powder-coat is applied over a hot dip galvanised surface pinholing can occur in the surface finish - this is not considered a defect.

# Detailed Material & Finish Specifications

## Bench Beam

- Bench beam is manufactured from FSC® certified hardwood and is profiled with a sanded finish - left untreated (natural) as standard.
- Multiple beam bench assembly depends on design but beams bolted together using M20 fixings.

## Bases

- Manufactured from mild steel with an all welded construction and hot-dip galvanised finish as standard (polyester powder coated finish available (colour as per customer specification)).
- Each single bench has 2 no. bases bolted to beam. Number of bases on multiple beam benches varies depending on design.
- Bench anchored to ground using 2 no. M10 x 130mm resin fix stud anchors per base (4 no. total).

# General Maintenance (Recommended Schedule & Guidelines)

## Daily/Weekly/Monthly (or as adopted)

Visual checks of bench top and frame - check all items for superficial or physical damage.

## Three Monthly

Clean all items as detailed below check all fixings are seated correctly; inspect timber for serious damage and splinters.

## Six Monthly

Secure all fixings; full clean as detailed below; check that bench is firmly secured to the ground

# Specific Maintenance Details

## FSC Timber

Clean with a stiff brush once per year, especially in more exposed locations, in order to prevent a verdigris type build up on the timber surface. Ideally this should be completed in early spring. During the cleaning stage, all exposed timber surfaces should be inspected for splits and splinters. Any splinters and graffiti should be removed and the surface sanded with 100 grit sandpaper in order to remove any uneven / sharp edges or surfaces.

During the first few months after installation the tannin naturally occurring in the timber may leach out and cause a brown staining on the bases. This may be removed with a light solution of household bleach and water.

## Galvanised & Polyester Powder Coated

For general cleaning using a damp cloth and warm soapy water only. Scourers and abrasive cleaners are NOT suitable for this type of finish and may damage it. Before using any cleaning agents to remove graffiti etc. try on a small, inconspicuous area first to avoid causing more unsightly damage.

# Repairs

## FSC Timber

For light damage, please see section on specific maintenance details above. For instances of heavy damage, the timber item should be replaced. Please order against the part number reference in the reordering section towards the end of this manual.

## Galvanised & Polyester Powder Coated Surfaces

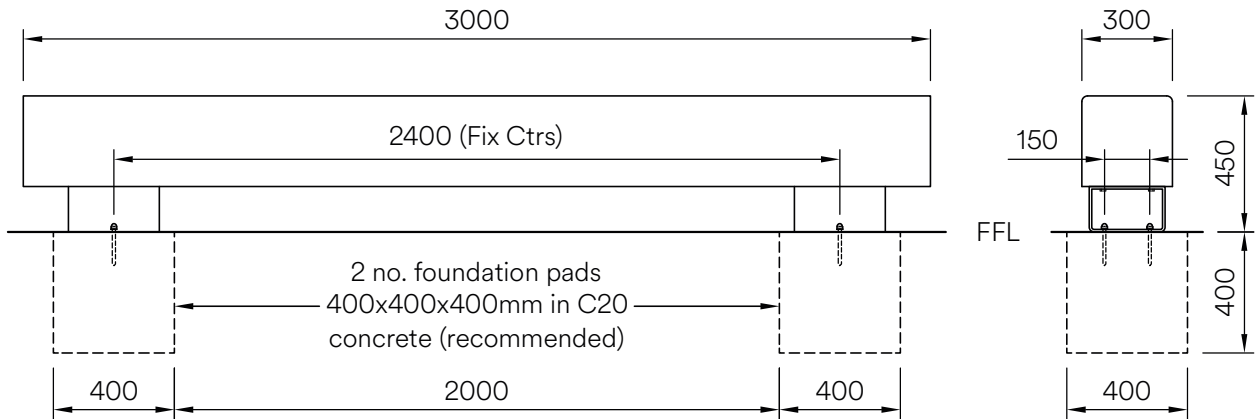
For light damage (scratches, chips etc.) repair using touch-up paint to match original colour (available from Factory Furniture Ltd). Paint application should be carried out in accordance with approved methods detailed by the paint manufacturer. Please note that it is advisable to use professional painters to achieve best results when touching up larger areas. Products for respraying larger areas are available from Factory Furniture Ltd.

## Heavy Damage

In the event of serious damage to any component, replacements should be ordered from Factory Furniture Ltd. Should further assistance be required (or if the product needs to be disassembled for any reason), please contact Factory Furniture for detailed technical advice.

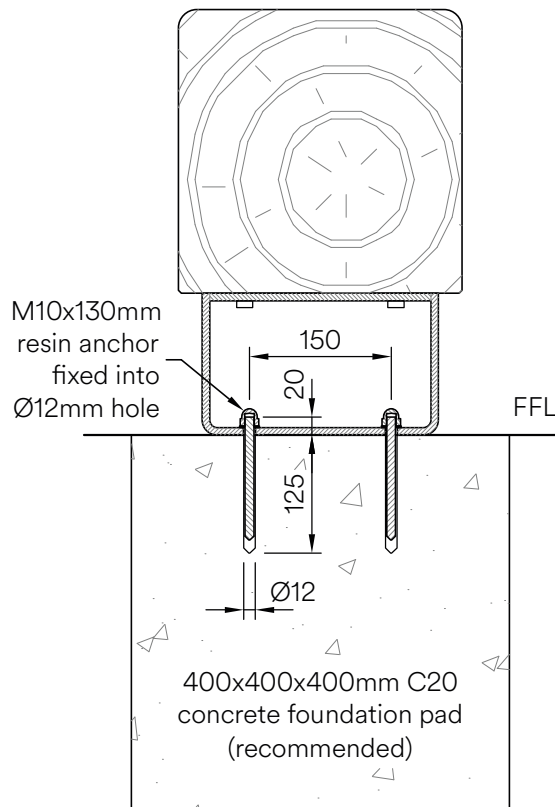
# Installation Instructions

ALL INSTALLATION WORKS TO BE CARRIED OUT BY COMPETENT PERSONNEL - INSTALL AS COMPLETE UNIT



## Beam Single Bench

1. Install suitable foundation pads (see illustrations) with top faces at ground level
2. Position bench in correct position/orientation with bases centrally on foundation pads (if necessary use shims to get bench level); then mark hole positions through bases
3. Remove bench; drill holes  $\text{Ø}12\text{mm}$  x 125mm deep (or as bolt manufacturer's recommendations)
4. Clear debris from holes
5. Screw capnuts onto resin anchor studs (leaving some room for final tightening).
6. Fill the holes to within approximately 35mm from the top with Hilti HY150 resin (or similar).
7. Move bench back into position and drop resin anchor studs with capnuts into the holes - leave for two hours to cure before proceeding (or as per resin manufacturer's instruction)
8. Using a torque wrench, tighten nuts and washers over base plates to 20Nm to fasten down the bench.
9. Check levels.



# NBS Specification Data

## PRODUCT REFERENCE – FF1054-SB – BEAM SINGLE BENCH

Description Bench with galvanised mild steel frame and timber beam  
Uniclass 2015 Category Pr\_40\_30\_29\_84 Street and site benches  
Design As per drawing: FF1054

### MANUFACTURER

Name Factory Furniture Ltd  
Address Unit 5 Pioneer Road, Faringdon, Oxfordshire, SN7 7BU  
Website [www.factoryfurniture.co.uk](http://www.factoryfurniture.co.uk)  
Telephone +44 (0)1367 242731

### MATERIAL

Slats FSC® certified hardwood  
Frame Mild steel

### FINISH

Timber Untreated sanded finish as standard  
Mild steel Hot-dip galvanised (option for polyester powder coat)

### SIZE

3000mm x 300mm x 450mm (LxWxH)

### FIXING

4 no. M10 x 130mm resin stud anchors