

# FACTORY FURNITURE



ILFORD Curved Bench

# Introduction

## Design

Design, shop drawings and development by Factory Furniture Ltd

## Manufacture

Factory Furniture manufactured components. Products are assembled in Factory workshops, checked and dispatched ready for installation. Replacement products or components should be ordered direct from Factory Furniture Ltd.

## Copyright

The design copyright for the product and drawing copyright remains the sole property of Factory Furniture Ltd.

## Timber

All timber used in Factory Furniture products is FSC® certified



# Contents

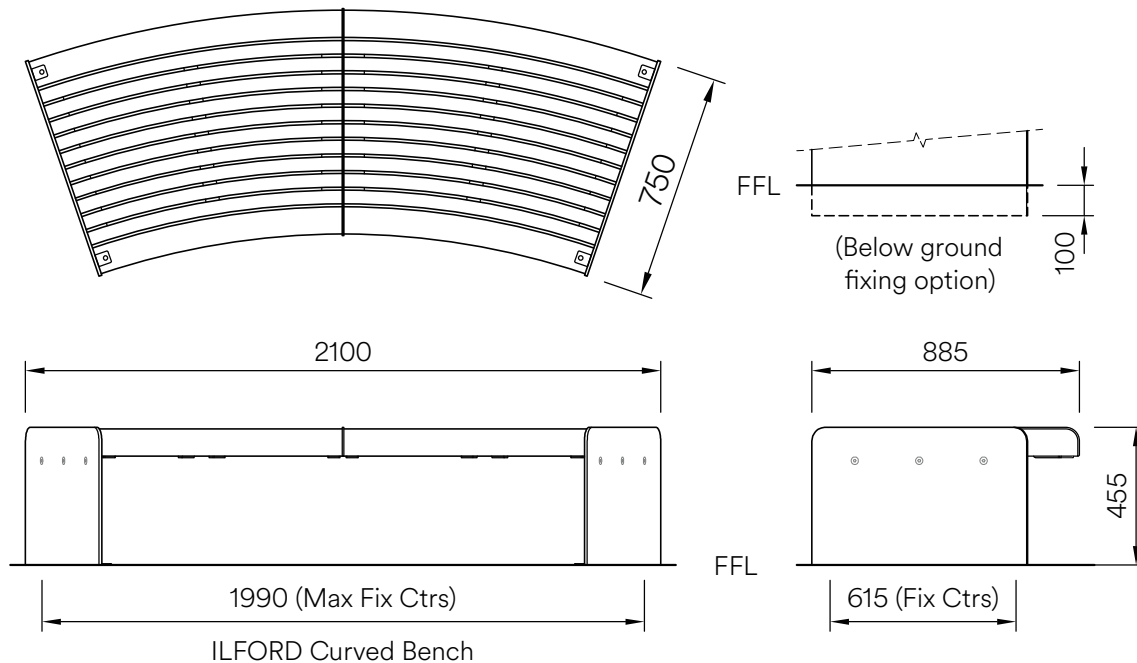
## Spec Sheet

ILFORD Curved Bench	... 3
ILFORD Curved Bench (with Armrest)	... 4

Detailed Materials & Maintenance	... 5
----------------------------------	-------

Installation Instructions	... 6
---------------------------	-------

NBS Specifications	... 7
--------------------	-------



## Composition

Slats - FSC® certified hardwood

Frame - Mild steel

## Finishes

Timber - Untreated sanded finish as standard

Mild steel - Hot-dip galvanised (polyester powder-coated finish available (colour as per client's specification))

## Dimensions

Metric L 2100mm | width 885mm | height 455mm\*

Imperial L 6' 10½" | width 2' 11" | height 1' 6"\*

\* Not incl. +100mm (4") for below ground fixing option

## Approx weight

186kg (or 198kg BGF option)

## Fixing centres & method

1990mm max (6' 6½") x 615mm (2' 0") - 4 off M10 Sleeve anchors

## Foundation

2 no. pad 300 x 850 x 300 mm in C20 concrete  
(recommendation only)

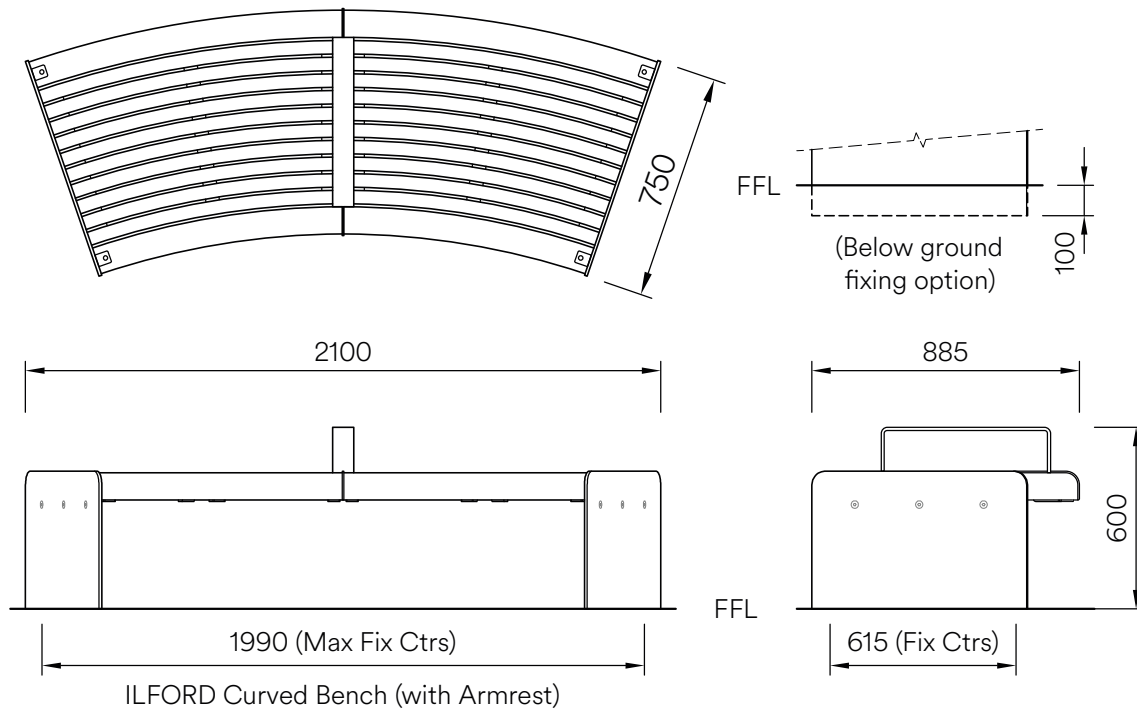
## Handling

Please observe health & safety lifting guidelines. A forklift or crane will be required for off-loading and positioning of this product.

## Maintenance

Depends on usage and position. All elements will require cleaning annually. Galvanised and powder coated mild steel only require maintenance if damaged.

\*Please note that when a powder-coat is applied over a hot dip galvanised surface pinholing can occur in the surface finish - this is not considered a defect.



## Composition

Slats - FSC® certified hardwood

Frame - Mild steel

## Finishes

Timber - Untreated sanded finish as standard

Mild steel - Hot-dip galvanised (polyester powder-coated finish available (colour as per client's specification))

## Dimensions

Metric L 2100mm | width 885mm | height 600mm\*

Imperial L 6' 10½" | width 2' 11" | height 1' 11½"\*

\* Not incl. +100mm (4") for below ground fixing option

## Approx weight

191kg (or 203kg BGF option)

## Fixing centres & method

1990mm max (6' 6½") x 615mm (2' 0") - 4 off M10 Sleeve anchors

## Foundation

2 no. pad 300 x 850 x 300 mm in C20 concrete  
(recommendation only)

## Handling

Please observe health & safety lifting guidelines. A forklift or crane will be required for off-loading and positioning of this product.

## Maintenance

Depends on usage and position. All elements will require cleaning annually. Galvanised and powder coated mild steel only require maintenance if damaged.

\*Please note that when a powder-coat is applied over a hot dip galvanised surface pinholing can occur in the surface finish - this is not considered a defect.

# Detailed Material & Finish Specifications

## Bench Slat Assembly

- Bench slats are manufactured from FSC® certified hardwood and are profiled with a sanded finish - left untreated (natural) as standard.
- Sub-frame is manufactured from hot-dip galvanised mild steel (polyester powder coated finish available (colour as per customer specification))

## Steel Side Frames

- Manufactured from mild steel with an all welded construction. Removable slat assembly bolted to sides.
- Mild steel frame elements are hot-dip galvanised (polyester powder coated finish available (colour as per customer specification))
- Bench anchored to ground using 4 no. zinc-coated M10 x 75mm sleeve anchors.

# General Maintenance (Recommended Schedule & Guidelines)

## Daily/Weekly/Monthly (or as adopted)

Visual checks of bench top and frame - check all items for superficial or physical damage.

## Three Monthly

Clean all items as detailed below check all fixings are seated correctly; inspect timber for serious damage and splinters.

## Six Monthly

Secure all fixings; full clean as detailed below; check that bench is firmly secured to the ground

# Specific Maintenance Details

## FSC Timber

Clean with a stiff brush once per year, especially in more exposed locations, in order to prevent a verdigris type build up on the timber surface. Ideally this should be completed in early spring. During the cleaning stage, all exposed timber surfaces should be inspected for splits and splinters. Any splinters and graffiti should be removed and the surface sanded with 100 grit sandpaper in order to remove any uneven / sharp edges or surfaces.

During the first few months after installation the tannin naturally occurring in the timber may leach out and cause a brown staining on the bases. This may be removed with a light solution of household bleach and water.

## Galvanised & Polyester Powder Coated

For general cleaning using a damp cloth and warm soapy water only. Scourers and abrasive cleaners are NOT suitable for this type of finish and may damage it. Before using any cleaning agents to remove graffiti etc. try on a small, inconspicuous area first to avoid causing more unsightly damage.

# Repairs

## FSC Timber

For light damage, please see section on specific maintenance details above. For instances of heavy damage, the timber item should be replaced. Please order against the part number reference in the reordering section towards the end of this manual.

## Galvanised & Polyester Powder Coated Surfaces

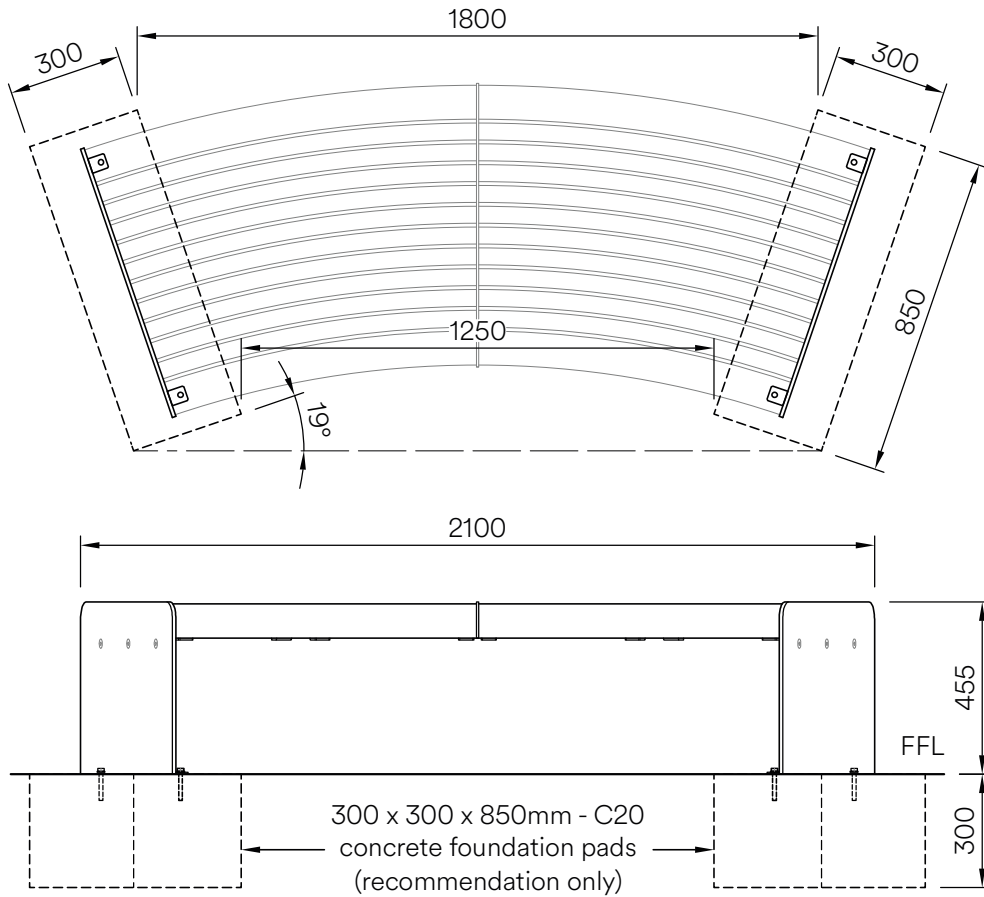
For light damage (scratches, chips etc.) repair using touch-up paint to match original colour (available from Factory Furniture Ltd). Paint application should be carried out in accordance with approved methods detailed by the paint manufacturer. Please note that it is advisable to use professional painters to achieve best results when touching up larger areas. Products for respraying larger areas are available from Factory Furniture Ltd.

## Heavy Damage

In the event of serious damage to any component, replacements should be ordered from Factory Furniture Ltd. Should further assistance be required (or if the product needs to be disassembled for any reason), please contact Factory Furniture for detailed technical advice.

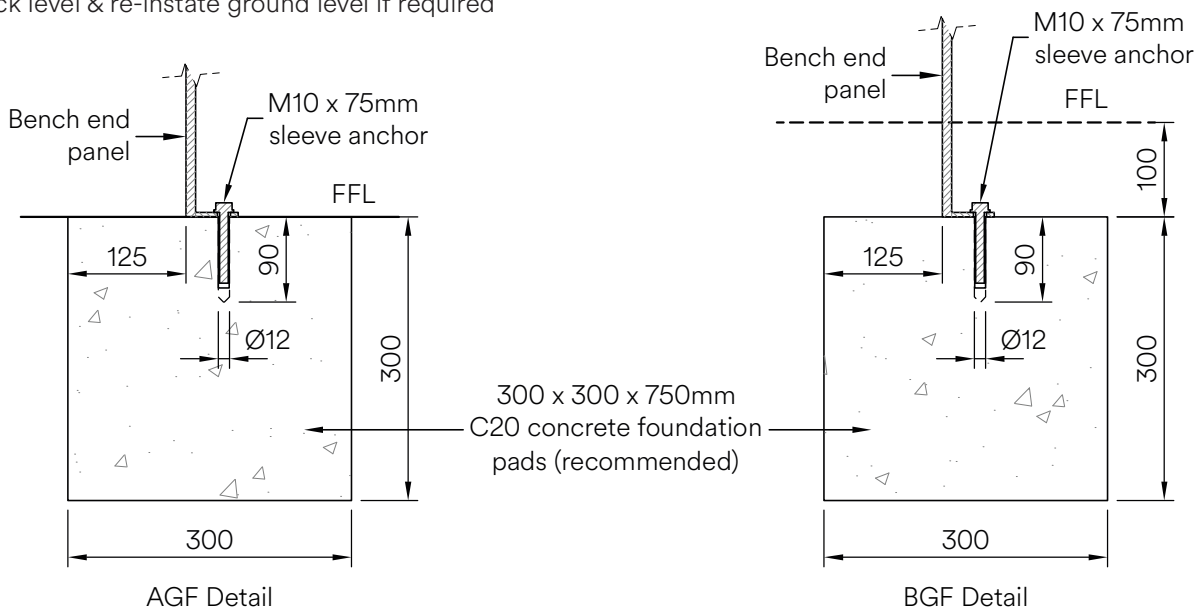
# Installation Instructions

ALL INSTALLATION WORKS TO BE CARRIED OUT BY COMPETENT PERSONNEL - INSTALL AS COMPLETE UNIT



## Ilford Curved Bench

1. Install suitable foundation pads (see illustrations) with top faces at ground level (or 100mm below for BGF option)
2. If necessary attach sides to slat assembly using 6 no. nuts & bolts provided.
3. Position bench in desired location and so that sides are centred on foundation pads then mark hole positions onto pads
4. Remove the bench; drill holes  $\text{\O}12\text{mm}$  x 90mm deep (or as bolt manufacturer's recommendations)
5. Clear debris from holes
6. Reposition bench and fix to foundation pads using 4 no. zinc-coated M10 x 75mm sleeve anchors tightened to 50Nm (or as per manufacturer's instruction). Ensure bench remains level during fixing process.
7. Check level & re-instate ground level if required



# NBS Specification Data

## PRODUCT REFERENCE – FF1051-CB – ILFORD CURVED BENCH

Description Bench with mild steel frame and timber slats  
Uniclass 2015 Category Pr\_40\_30\_29\_84 Street and site benches  
Design as per drawing: FF1051\_2

### MANUFACTURER

Name Factory Furniture Ltd  
Address Unit 5 Pioneer Road, Faringdon, Oxfordshire, SN7 7BU  
Website [www.factoryfurniture.co.uk](http://www.factoryfurniture.co.uk)  
Telephone +44 (0)1367 242731

### MATERIAL

Slats FSC® certified hardwood  
Frame Mild steel

### FINISH

Timber Sanded natural finish as standard  
Mild steel Hot-dip galvanised (option for polyester powder coat)

### SIZE

2100mm x 885mm x 455mm (LxWxH)  
2100mm x 885mm x 600mm (LxWxH) - With armrest

### FIXING

4 no. sleeve anchors